

## INSTALLATION INSTRUCTIONS FOR DROPSPOT™ WATER FILTER



### FA-3000

3000 Gallon Water Filter (FC3000R) Kit for  
DRS-100 Bottle Fillers

FC-3000-R is certified by IAPMO R&T to NSF/ANSI 42 for chlorine, to NSF/ANSI 53 for lead, cyst and total PFAS and NSF/ANSI 401 for microplastic when used in the 63820031 which includes the filter head 63820017 which is included within filter kit 33830001 and also within filter kit 33830002.



### SLOAN® LIMITED WARRANTY SUMMARY

Sloan Valve Company ("Sloan"), warrants its products against defects in materials and workmanship, excluding damage caused by matters beyond Sloan's reasonable control. Instructions for filing claims can be found in the Limited Warranty which can be obtained at [www.sloan.com](http://www.sloan.com) or by requesting a free copy by telephone at 888.756.2614. Sloan will repair or replace your defective product, or provide a refund, as your exclusive remedy. This is only a general summary of Sloan's Limited Warranty so it is important to note that the specific terms, conditions, limitations and exclusions, including the duration of warranty coverage for your particular Sloan product, are contained in the actual Sloan Limited Warranty. The Limited Warranty is subject to applicable laws in your country, state, province or other jurisdiction—and disputes arising under the Limited Warranty are to be resolved by binding arbitration unless you provide Sloan with an opt-out notice no later than 30 days after your purchase date. In case of a conflict with this summary, the terms and conditions set forth in the complete Limited Warranty will prevail.

### IMPORTANT INFORMATION

- Install in compliance with local and state regulations.
- Install in cold water applications only.
- DO NOT USE where the water is microbiologically unsafe or of unknown quality without adequate disinfection before or after the unit.
- DO NOT USE this system on water containing hardness greater than 50 mg/L (3 grains per gallon) without pretreatment to remove hardness.
- Rated maximum service flow = 1.25 gpm
- Maximum operating pressure = 125 psi
- Maximum operating temperature = 100°F
- Spent absorption media should not be regenerated and used.
- If absorption media is affected by chlorine, influent should be treated to remove chlorine.
- **WARNING:** This system is for use on water supplies that have been treated to public water systems standards. This system has been tested to demonstrate effective reduction of microcystins, however, in the event of a reported cyanotoxin event in your water supply, other cyanotoxins may be present in the drinking water which may not be effectively reduced by this system. In the event of a cyanotoxin notification, follow the recommendations of your drinking water authority.
- This system conforms to NSF/ANSI 53 and has been verified and substantiated by test data.

### TOOLS REQUIRED FOR INSTALLATION

- Philips screwdriver (not provided)
- 5/32" Allen wrench
- Universal Maintenance Tool (provided with Bottle Filler)

Universal Maintenance Tool  
**DO NOT DISCARD!**

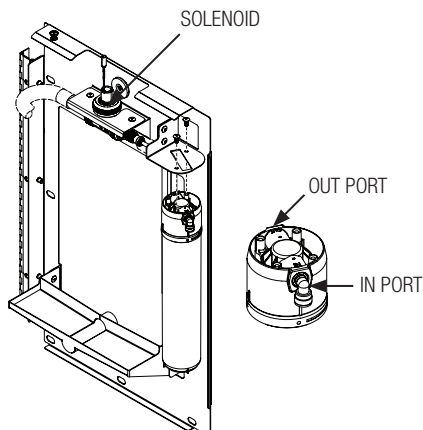


### NEW INSTALLATIONS

Follow the instructions on this page for new Bottle Filler installations. For existing installations, see the next page.

- 1 Mount filter cartridge to upper corner bracket using the two (2) screws provided.

**IMPORTANT:** The IN port should be furthest from the solenoid and OUT should be closest to the solenoid.



- 3 Continue with bottle filler installation.

Once the bottle filler power supply is plugged in, be sure to set the filter status by pressing and holding the service button located on the PCB for 3 seconds and releasing once "Reset Filter" shows on the display. Quickly press and release the service button to change the display to "Filter 3000." Wait 6 seconds until the display returns to the bottles saved value.

- 4 Run 6.25 gallons of water through the filter before use.

### IMPORTANT

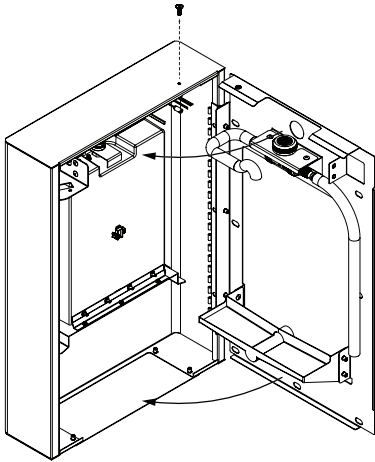
Run 6.25 gallons of water through the filter before use. Change the filter when the LED is illuminated, or if water becomes cloudy, decreased water flow or pressure, and/or the water develops a bad taste. See Replacement Filters table on the next page.

- 2 Connect provided supply hose to IN port. Connect OUT port to solenoid port.

## EXISTING INSTALLATIONS

Follow the instructions on this page to add the water filter to an existing Bottle Filler. For new installations, see the previous page.

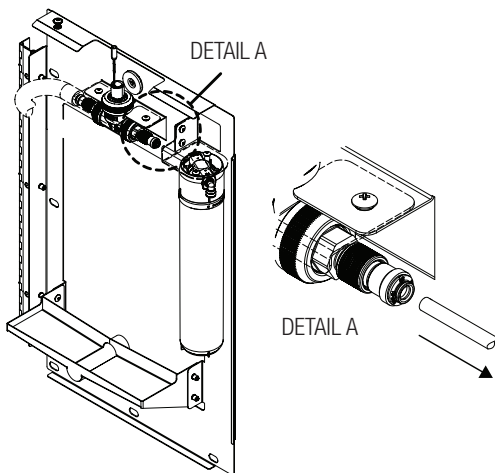
- Using a 5/32" hex driver or Allen wrench, remove top screw from bottle filler housing and open unit.



- Turn off water supply stop.

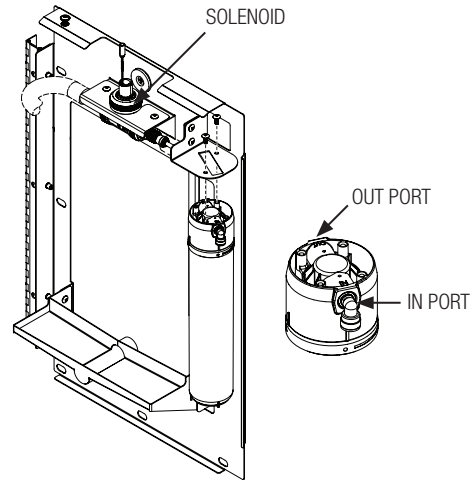
**IMPORTANT:** If unit is refrigerated, disconnect chiller power supply.

- Disconnect supply side tubing from solenoid.



- Mount filter cartridge to upper corner bracket using the two (2) screws provided.

**IMPORTANT:** The IN port should be furthest from the solenoid and OUT should be closest to the solenoid.



- Connect existing supply hose to IN port.

- Connect OUT port to solenoid port.

- Set the filter status by pressing and holding the service button located on the PCB for 3 seconds and releasing once "Reset Filter" shows on the display. Quickly press and release the service button to change the display to "Filter 3000." Wait 6 seconds until the display returns to the bottles saved value.

- Reversing Step 1, close and secure the unit.

- Run 6.25 gallons of water through the filter before use.

### IMPORTANT

Run 6.25 gallons of water through the filter before use.  
Change the filter when the LED is illuminated, or if water becomes cloudy, decreased water flow or pressure, and/or the water develops a bad taste. See Replacement Filters table below.

When assistance is required, please contact Sloan Technical Support at 1.888.SLOAN.14 or 1.888.756.2614.

### REPLACEMENT FILTERS (SOLD SEPARATELY)

Code No.	Part No.	Description
33830003	FC3000R	3000 Gallon Filter Cartridge (1 pack)
33830014	FC3000M	3000 Gallon Filter Cartridge (20 pack)

The information contained in this document is subject to change without notice.

**SLOAN • 10500 SEYMOUR AVENUE • FRANKLIN PARK, IL 60131**

Phone: +1.800.9.VALVE.9 or +1.800.982.5839 • Fax: +1.800.447.8329 • www.sloan.com