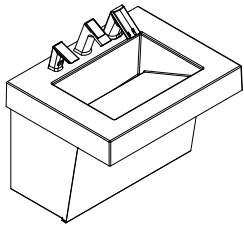
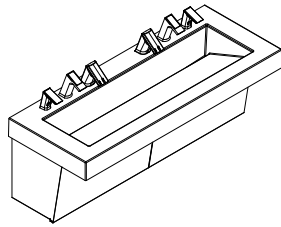


Sloan Integrated Sink System, ELAD

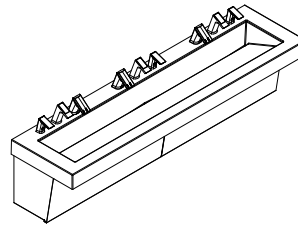
One, Two, Three, and Four Station Solid Surface



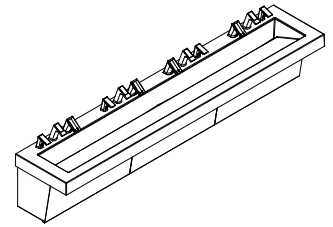
ELAD-81000
Deck Sink Lavatory System



ELAD-82000
Deck Sink Lavatory System



ELAD-83000
Deck Sink Lavatory System



ELAD-84000
Deck Sink Lavatory System

Notes:

- **Caution:** These instructions are for standard, continuous basin designs only, for individual basin or other customization refer to the provided custom installation instructions for rough-in information.
- SloanStone sinks are a one piece molded design with a slight angle outward at the side aprons to facilitate the fabrication process thus the overall length of the sink measured along the bottom edge may be up to 1/2" greater than noted length. SloanStone sinks are commonly available in one to four station lengths (most models) and cannot be seamed together to create a longer sink layout.
- Components shown are for reference only and may not depict actual customer components.

Important



Read this entire installation manual to ensure proper installation. When finished with the installation, file this manual with the owner or maintenance department. Compliance and conformity to local codes and ordinances is the responsibility of the installers.



Separate parts from packaging and make sure all parts are accounted for before discarding any packaging material. If any parts are missing, do not begin installation until all parts are obtained.



Make sure that all water supply lines have been flushed and completely turned off before starting the installation. Debris in supply lines can cause valves to malfunction.



Turn off electrical power to the electrical outlets, then unplug units prior to installation. Electrical power MUST remain off until installation is complete.



Installers hardware must be appropriate for wall construction. Wall anchors and mounting fasteners MUST have a minimum pull-out rating of 1,000 lbs.



For standard height mounting, DO NOT exceed the recommended 34 inch distance from the top of the lav deck to the finished floor. To meet ADA requirements the lav deck cannot not exceed the 34 inch maximum height dimension.

Tools and Supplies Required for Installation

- Electric drill for drilling anchor holes.
- Standard sockets, basin wrench, and open end wrench set for installing anchoring fasteners and faucets.
- Pipe wrench for installing drain lines.
- Phillips and straight blade screwdrivers.
- Tubing cutter
- Level
- Carpenter's square
- Caulk gun
- 1/2" NPT hot/cold or tempered supply piping
- 1 1/2" NPT drain piping including p-trap
- Adhesive: Loctite® PL Premium® FAST GRAB Polyurethane Construction Adhesive
- 110 volt GFCI protected electrical outlet for 100-120 VAC plug-in transformer
- Screen filter(s) included with faucet(s)
- Backing supplied by others to meet local codes

Prior to Installation

CAUTION

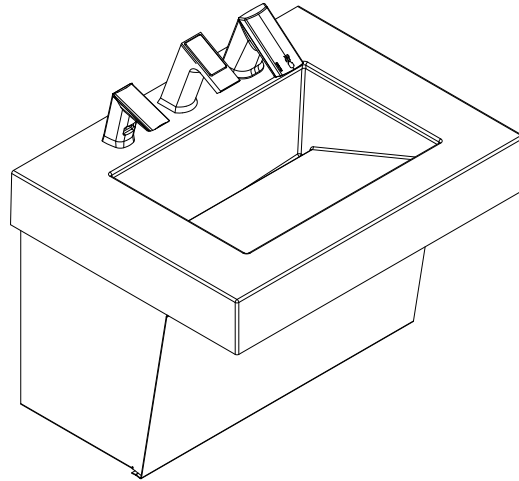
- ADEQUATE STRUCTURAL SUPPORT IN OR BEHIND THE WALL IS REQUIRED.
- ALL ELECTRICAL WIRING IS TO BE INSTALLED IN ACCORDANCE WITH NATIONAL/LOCAL CODES AND REGULATIONS. ELECTRICAL OUTLETS SHOULD BE RECESSED AND INSTALLED PRIOR TO INSTALLATION.
- ALL PLUMBING SHOULD BE INSTALLED IN ACCORDANCE WITH APPLICABLE CODES AND REGULATIONS.
- BEFORE CONNECTING FLEX HOSES TO SUPPLY STOPS, FLUSH ALL WATER LINES UNTIL WATER IS CLEAR.
- HOT AND COLD WATER SUPPLY LINES/TEMPERED SUPPLY LINE AND DRAIN LINES. RECOMMENDED TO HAVE CONTROL STOPS ON WATER SUPPLY LINES IN PLACE PRIOR TO INSTALLATION.

Sloan® Limited Warranty Summary

Sloan Valve Company ("Sloan"), warrants its products against defects in materials and workmanship, excluding damage caused by matters beyond Sloan's reasonable control. Instructions for filing claims can be found in the Limited Warranty which can be obtained at www.sloan.com or by requesting a free copy by telephone at 888.756.2614. Sloan will repair or replace your defective product, or provide a refund, as your exclusive remedy. This is only a general summary of Sloan's Limited Warranty so it is important to note that the specific terms, conditions, limitations and exclusions, including the duration of warranty coverage for your particular Sloan product, are contained in the actual Sloan Limited Warranty. The Limited Warranty is subject to applicable laws in your country, state, province or other jurisdiction—and disputes arising under the Limited Warranty are to be resolved by binding arbitration unless you provide Sloan with an opt-out notice no later than 30 days after your purchase date. In case of a conflict with this summary, the terms and conditions set forth in the complete Limited Warranty will prevail.

ELAD-81000 Integrated Sink System

One Station Solid Surface

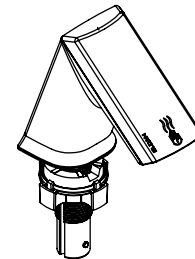
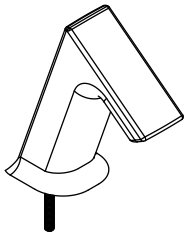
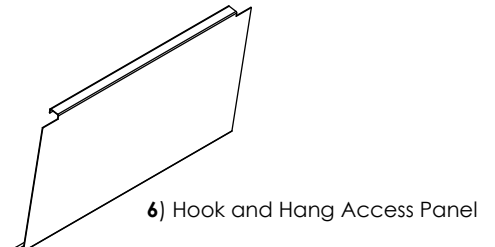
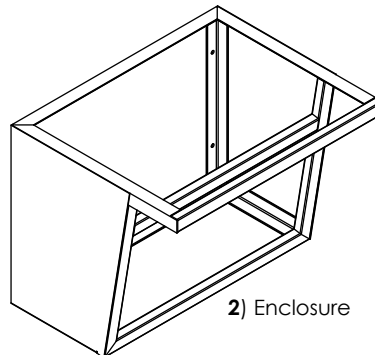
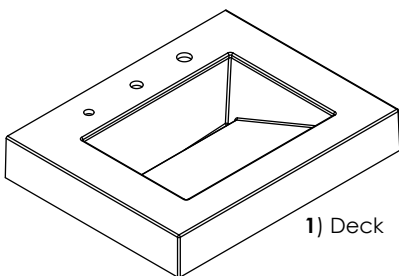


Note:
SloanStone sinks are a one piece molded design with a slight angle outward at the side aprons to facilitate the fabrication process thus the overall length of the sink measured along the bottom edge may be up to 1/2" greater than noted length. SloanStone sinks are commonly available in one to four station lengths (most models) and cannot be seamed together to create a longer sink layout.

Sink Location

Determine the appropriate wall location for the Lavatory System. Refer to original spec sheets for correct placement of electrical and plumbing locations. If wall is not load bearing, a carrier may be required behind the wall. Refer to the appropriate Rough-In diagram for Lavatory System dimensions. Prior to Lavatory System installation, electric wiring, water supply and drain must be installed.

ELAD One Station Components

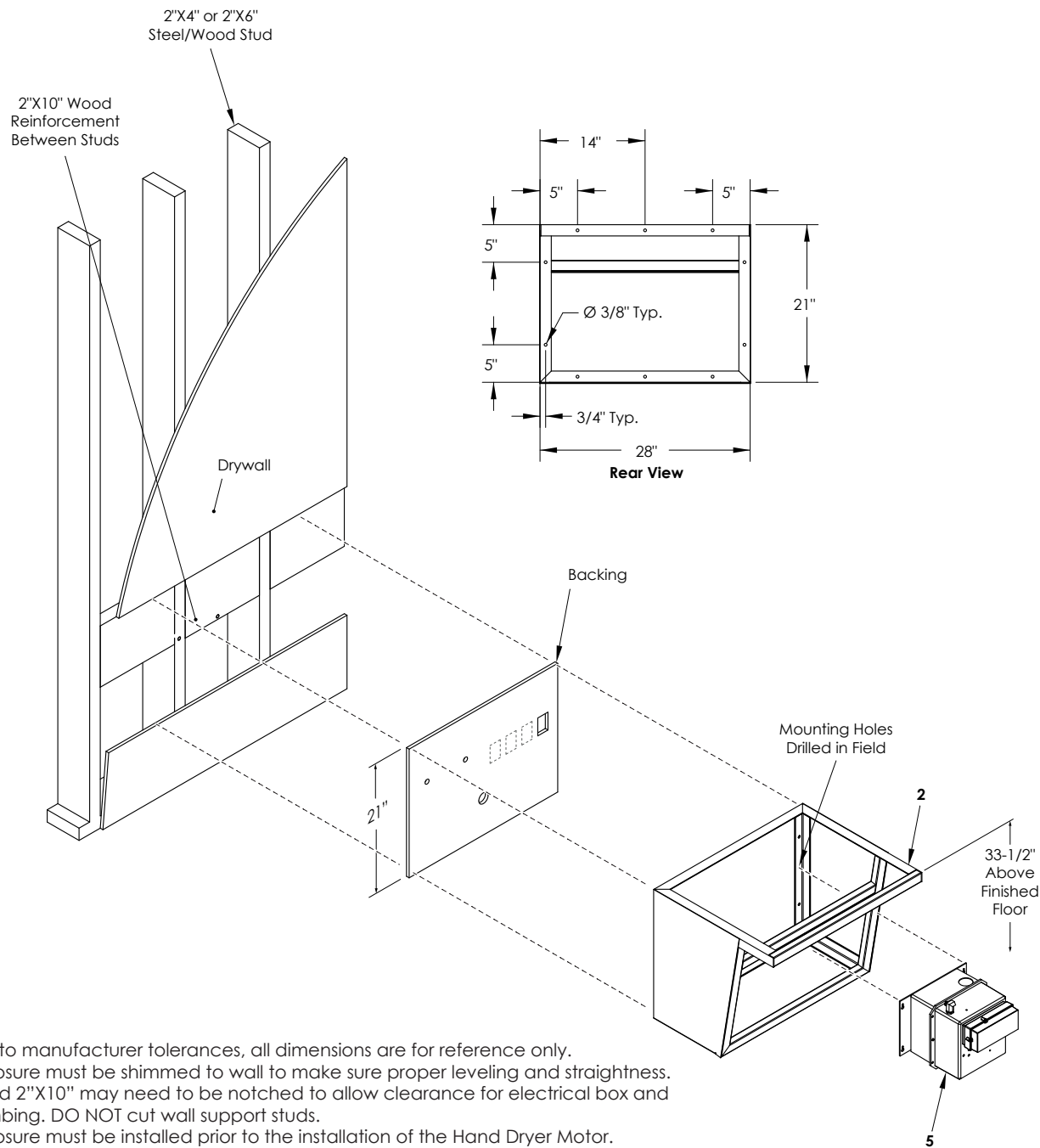


ELAD One Station Component List

Description	Item Number	Quantity
ELAD, One Station, Integrated Deck	1	1
Enclosure	2	1
EFX Series Faucet	3	1
Basys Style ESD 500 Soap Dispenser	4	1
Basys Style Hand Dryer	5	1
Hook and Hang Access Panel	6	1

Backing and Enclosure Installation (One Station)

Figure 5



Notes:

- Due to manufacturer tolerances, all dimensions are for reference only.
- Enclosure must be shimmed to wall to make sure proper leveling and straightness.
- Wood 2"X10" may need to be notched to allow clearance for electrical box and plumbing. DO NOT cut wall support studs.
- Enclosure must be installed prior to the installation of the Hand Dryer Motor.
- The Hand Dryer Motor shall be mounted to the rear angle iron of the enclosure.
- Mounting holes to be drilled in the field.
- Do not install lower enclosure mounting bolt if there is interference with the hand dryer.

1. Install Backing (Figure 5) onto wall studs.

Note: Backing supplied by others to meet local codes.

- a. If drywall is present, measure outside of Enclosure (2) and cut out drywall window.
- b. Remove drywall window.
- c. Pre-drill/cut holes for plumbing and electrical.
- d. Install backing into cutout drywall window.

2. Mount Hand Dryer Motor (5, Figure 1) to specified location onto backing. Refer to Figure 4 on page 4 on page 3 for mounting location.

3. Refer to the template in (Figure 5), mount the Enclosure (2) to the backing. Make Sure that Enclosure (2) is level and the proper distance from the finished floor.

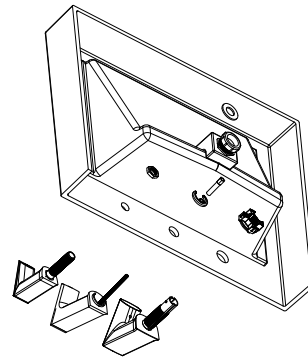
Note: Holes must be drilled in the field. Refer to in Figure 4 on page 4.

Faucet, Hand Dryer and Soap Dispenser Installation (One Station)

Notes:

- For ease of deck installation, leave the deck lying on its front (if no bag hooks are installed) or lying on its back and install component spouts.
- Components shown for reference only.

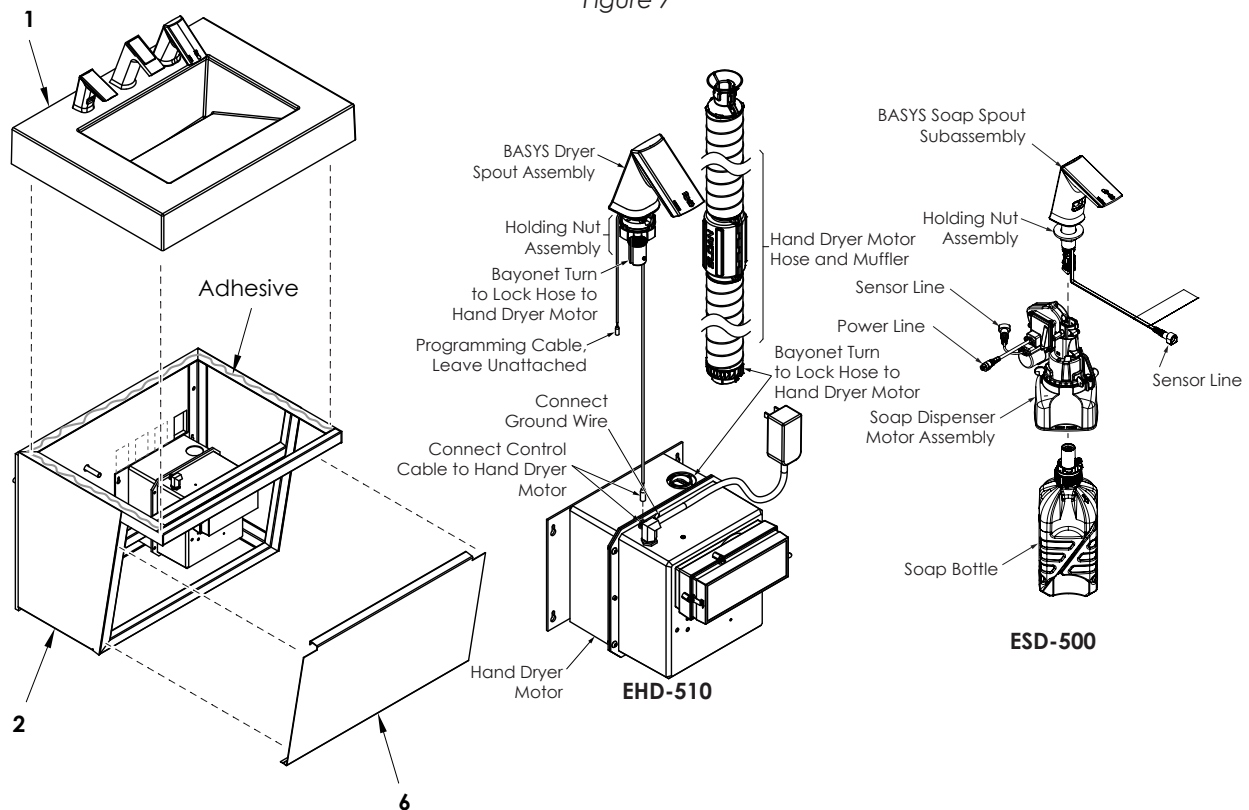
Figure 6



4. Install Faucet, Soap Dispenser and Hand Dryer (Figure 6) onto sink according to manufacturer's instructions provided with components. (See QR codes below for link to Sloan instructions.)

Sink Installation (One Station)

Figure 7



Note: Hand dryer and soap dispenser, refer to manufacturer instructions provided with component.

5. Install Deck (1, Figure 7) onto Enclosure (2).

Note: Back of Deck (1) may require scribing to finished wall.

- a. Apply adhesive (not supplied) to the top of Enclosure (2).
- b. Lower Deck (1) onto Enclosure (2). Shim all gaps between Enclosure (2) and Deck (1).
- c. Connect Hand Dryer Motor Hose to Hand Dryer Motor.

Note: DO NOT connect power unit until air spout is completely installed.

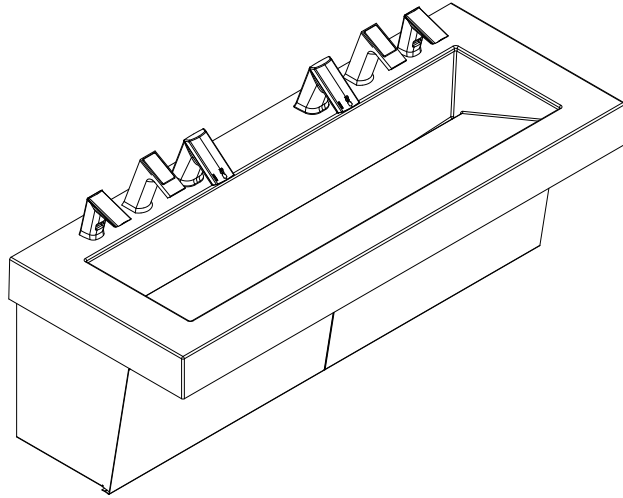
- d. Connect Soap Dispenser Lines to Soap Dispenser.
- e. Install all water connections and drain lines.

6. Remove any and all protective tape and/or wrap. Attach Hook and Hang Access Panel (6) onto Enclosure (2)

End of ELAD-81000 Installation Instructions

ELAD-82000 Integrated Sink System, ELAD

Two Station Solid Surface

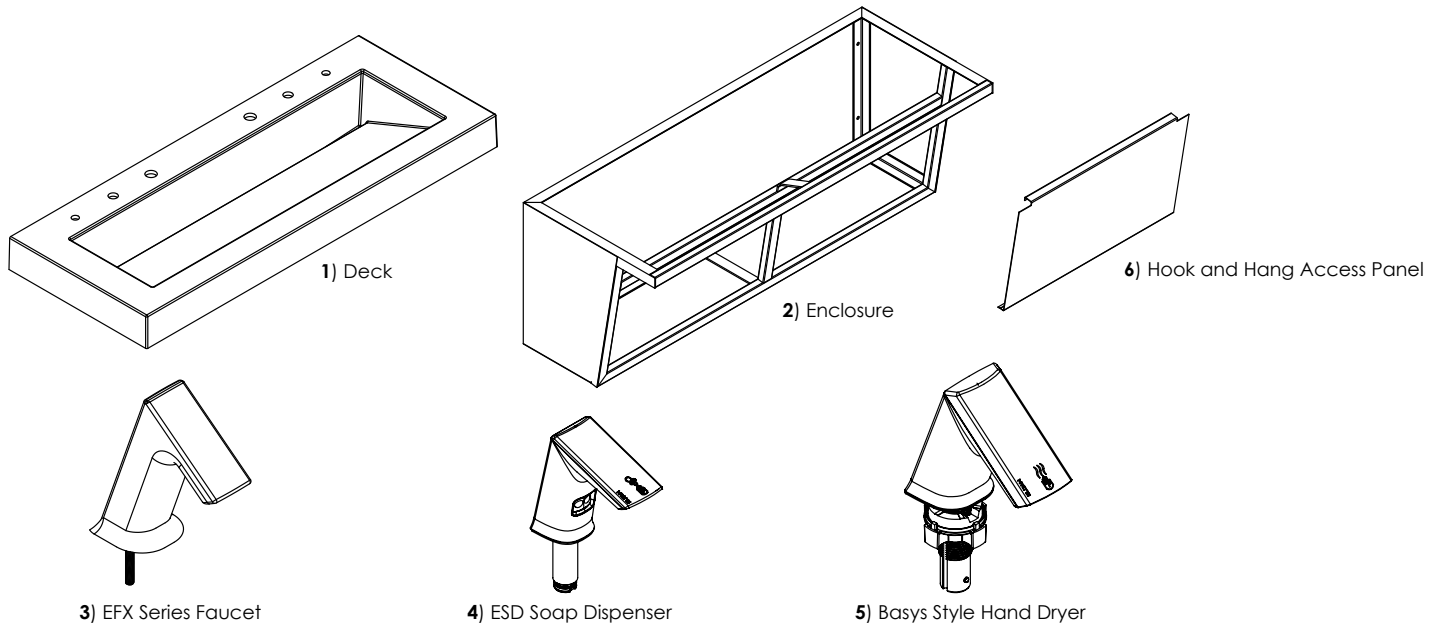


Note: SloanStone sinks are a one piece molded design with a slight angle outward at the side aprons to facilitate the fabrication process thus the overall length of the sink measured along the bottom edge may be up to ½" greater than noted length. SloanStone sinks are commonly available in one to four station lengths (most models) and cannot be seamed together to create a longer sink layout.

Sink Location

Determine the appropriate wall location for the Lavatory System. Consider that hot and cold water supply lines, a drain line, and an electrical source (receptacle for hardwired faucets and hand dryer) will be required. Compare the physical dimensions of the Lavatory System to the space available for the installation. If wall is not load bearing, a carrier may be required behind the wall. Refer to the appropriate Rough-in diagrams for Lavatory System dimensions. Prior to Lavatory System installation, electric wiring, water supply and drain must be installed.

ELAD Two Station Components

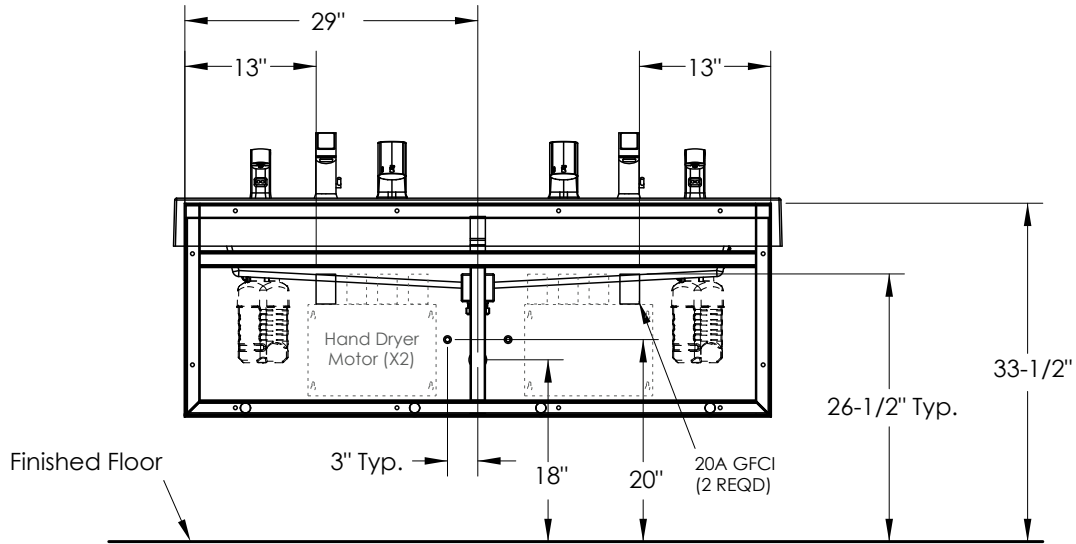


ELAD Two Station Component List

Description	Item Number	Quantity
ELAD, Two Station, Integrated Deck	1	1
Enclosure	2	1
EFX Series Faucet	3	2
Basys Style ESD 500 Soap Dispenser	4	2
Basys Style Hand Dryer	5	2
Hook and Hang Access Panel	6	2

Rough-In (Two Station); Plumbing and Electrical, Front View

Figure 8

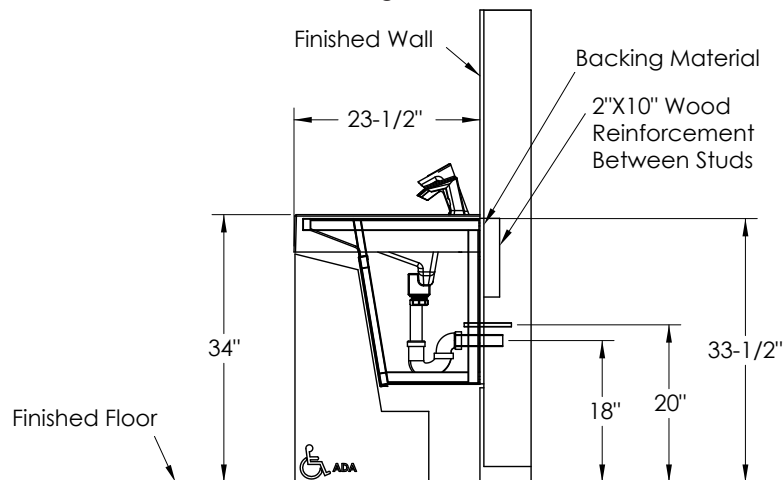


Notes:

- Plumbing and electrical are shown for reference only and may need to be adjusted to accommodate the physical environment and under sink components.
- Hot and cold-water supply line location subject to local codes.
- Hand Dryer Motor alone, without heater option activated, is only 500 watts or less with speed control.
- Hand Dryer with Heater requires 1500 watts or less with speed control.
- Each Hand Dryer Motor must be plugged into a dedicated 20 amp GFCI safety circuit. 20 amp electrical cutout shown as solid lines.
- Other electrical cutouts (dotted lines) are shown for reference only, to allow for multiple 15 amp (or less) plug-in components. The number of circuits required will vary depending on the quantity of outlets needed to support the electrical requirements of these components.
- Cut backing to allow for electrical and plumbing components.
- Electrical boxes need to be flush mounted to backing material, to allow for plumbing and component clearance.

Rough-In (Two Station); Section View

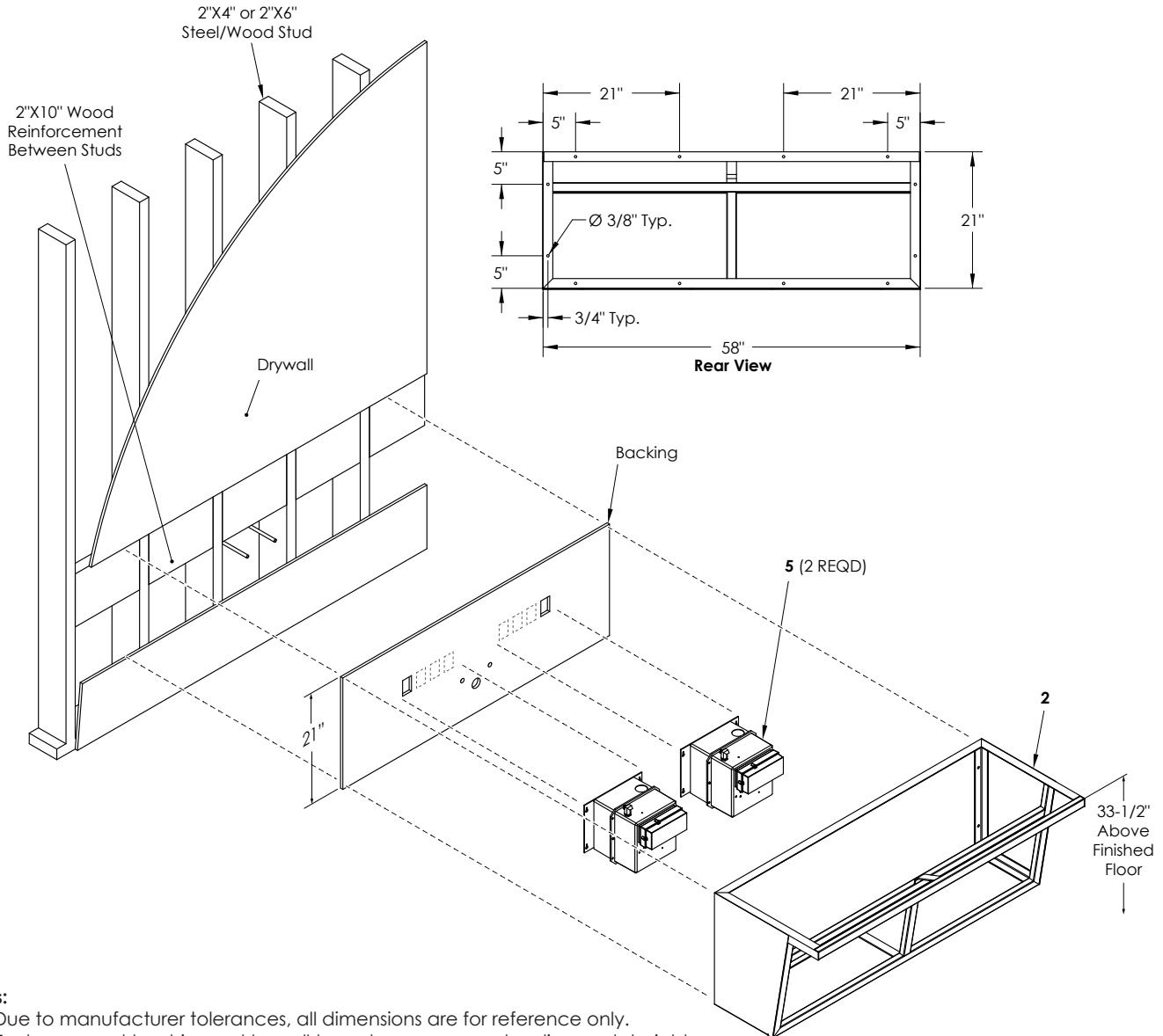
Figure 9



Note: Backing material should equal thickness of drywall, 1/2" min.

Backing and Enclosure Installation (Two Station)

Figure 12



Notes:

- Due to manufacturer tolerances, all dimensions are for reference only.
- Enclosure must be shimmed to wall to make sure proper leveling and straightness.
- Wood 2"X10" may need to be notched to allow clearance for electrical box and plumbing. DO NOT cut wall support studs.

1. Install Backing (Figure 12) onto wall studs.

Note: Backing supplied by others to meet local codes.

- a. If drywall is present, measure outside of Enclosure (2) and cut out drywall window.
- b. Remove drywall window.
- c. Pre-drill/cut holes for plumbing and electrical.
- d. Install backing into cutout drywall window.

2. Mount Hand Dryer Motor (5, Figure 12) to specified location onto backing. Refer to Figure 11 on page 9 for mounting location.

3. Refer to the template in (Figure 12), mount the Enclosure (2) to the backing. Make Sure that Enclosure (2) is level and the proper distance from the floor.

Note: Anchor enclosure to wall using 1,000 lb pull out mounting fasteners for 3/8" holes (not supplied).

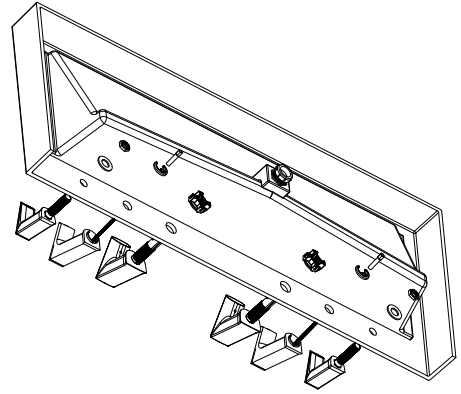
- a. Using mounting fasteners secure Enclosure (2) onto backing, making sure that the top of Enclosure (2) is level and the proper distance from the finished floor.

Faucet, Hand Dryer and Soap Dispenser Installation (Two Station)

Notes:

- For ease of deck installation, leave the deck lying on its front (if no bag hooks are installed) or lying on its back and install component spouts.
- Components shown for reference only.

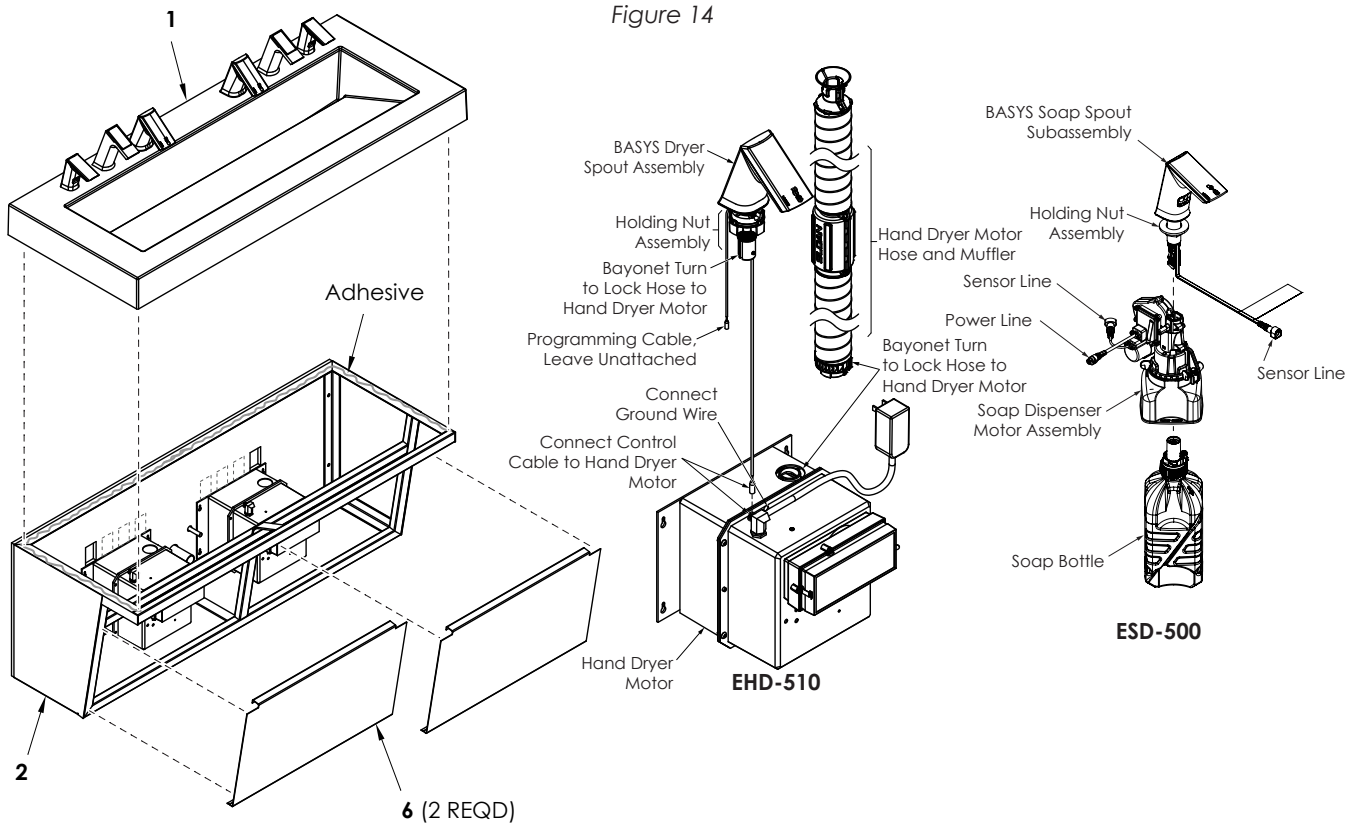
Figure 13



4. Install Faucet, Soap Dispenser and Hand Dryer (Figure 13) onto sink according to manufacturer's instructions provided with components. (See QR codes below for link to Sloan instructions.)

Sink Installation (Two Station)

Figure 14



Note: Hand dryer and soap dispenser, refer to manufacturer instructions provided with component.

5. Install Deck (1, Figure 14) onto Enclosure (2).

Note: Back of Deck (1) may require scribing to finished wall.

- a. Apply adhesive (not supplied) to the top of Enclosure (2).
- b. Lower Deck (1) onto Enclosure (2). Shim all gaps between Enclosure (2) and Deck (1).
- c. Connect Hand Dryer Motor Hose to Hand Dryer Motor.

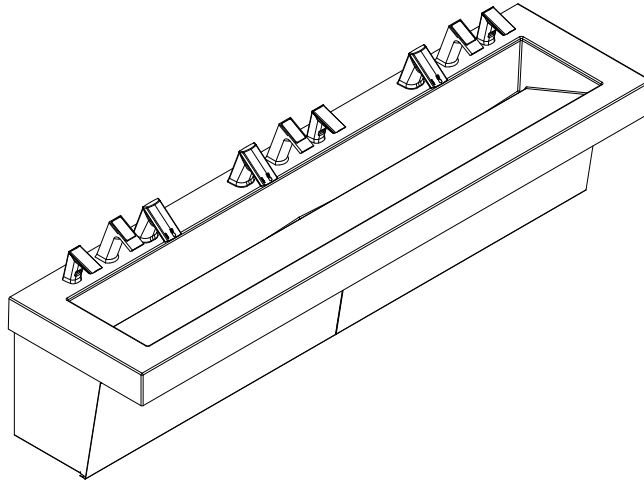
Note: DO NOT connect power unit until air spout is completely installed.

- d. Connect Soap Dispenser Lines to Soap Dispenser.
- e. Install all water connections and drain lines.

6. Remove any and all protective tape and/or wrap. Attach Hook and Hang Access Panel (6) onto Enclosure (2)

ELAD-83000 Integrated Sink System, ELAD

Three Station Solid Surface

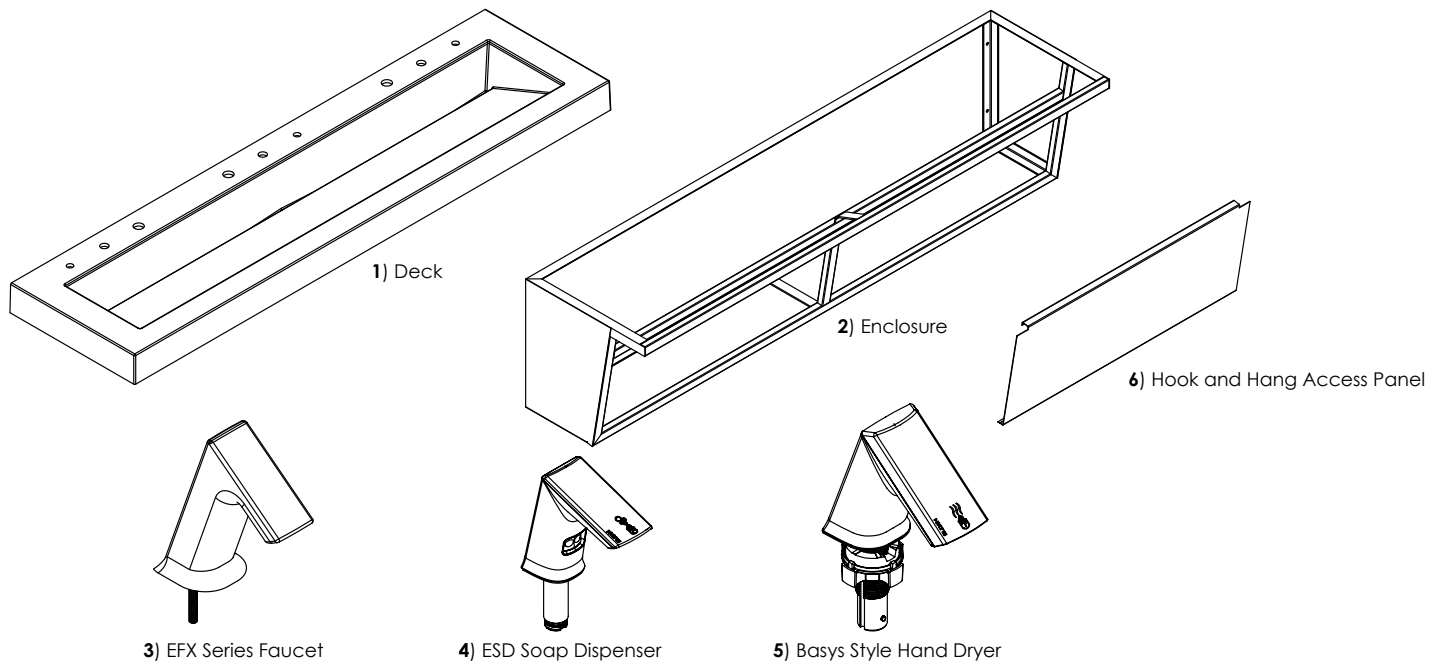


Note:
SloanStone sinks are a one piece molded design with a slight angle outward at the side aprons to facilitate the fabrication process thus the overall length of the sink measured along the bottom edge may be up to ½" greater than noted length. SloanStone sinks are commonly available in one to four station lengths (most models) and cannot be seamed together to create a longer sink layout.

Sink Location

Determine the appropriate wall location for the Lavatory System. Consider that hot and cold water supply lines, a drain line, and an electrical source (receptacle for hardwired faucets and hand dryer) will be required. Compare the physical dimensions of the Lavatory System to the space available for the installation. If wall is not load bearing, a carrier may be required behind the wall. Refer to the appropriate Rough-in diagrams for Lavatory System dimensions. Prior to Lavatory System installation, electric wiring, water supply and drain must be installed.

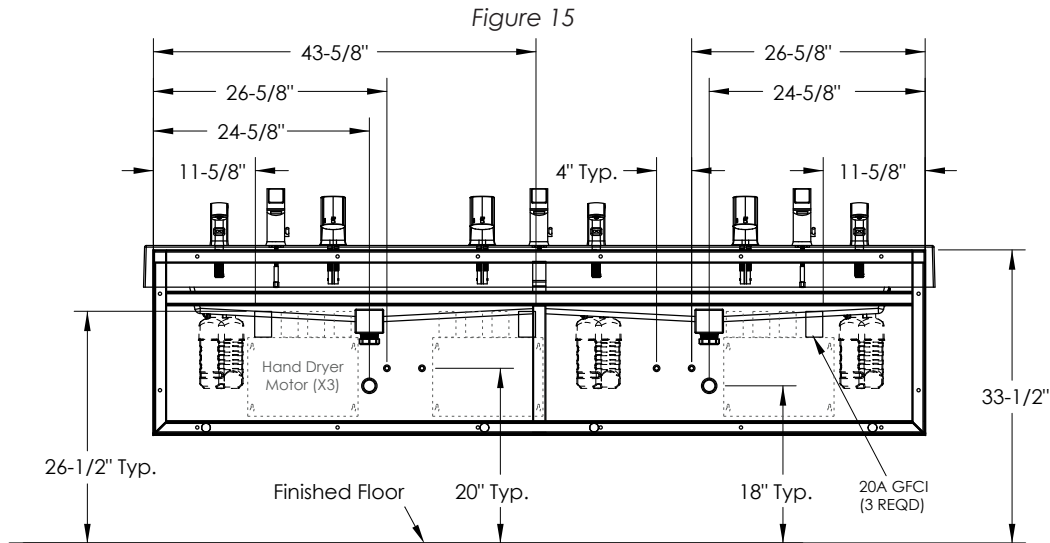
ELAD Three Station Components



ELAD Three Station Component List

Description	Item Number	Quantity
ELAD, Three Station, Integrated Deck	1	1
Enclosure	2	1
EFX Series Faucet	3	3
Basys Style ESD 500 Soap Dispenser	4	3
Basys Style Hand Dryer	5	3
Hook and Hang Access Panel	6	2

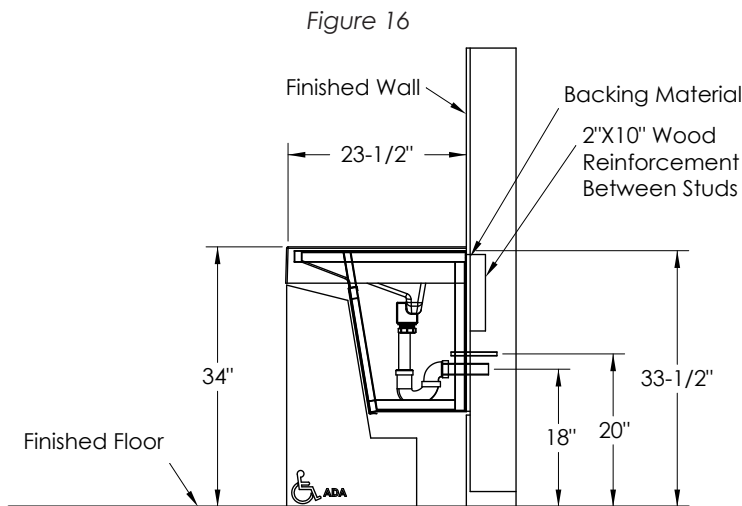
Rough-In (Three Station); Plumbing and Electrical, Front View



Notes:

- Plumbing and electrical are shown for reference only and may need to be adjusted to accommodate the physical environment and under sink components.
- Hot and cold-water supply line location subject to local codes.
- Hand Dryer Motor alone, without heater option activated, is only 500 watts or less with speed control.
- Hand Dryer with Heater requires 1500 watts or less with speed control.
- Each Hand Dryer Motor must be plugged into a dedicated 20 amp GFCI safety circuit. 20 amp electrical cutout shown as solid lines.
- Other electrical cutouts (dotted lines) are shown for reference only, to allow for multiple 15 amp (or less) plug-in components. The number of circuits required will vary depending on the quantity of outlets needed to support the electrical requirements of these components.
- Cut backing to allow for electrical and plumbing components.
- Electrical boxes need to be flush mounted to backing material, to allow for plumbing and component clearance.

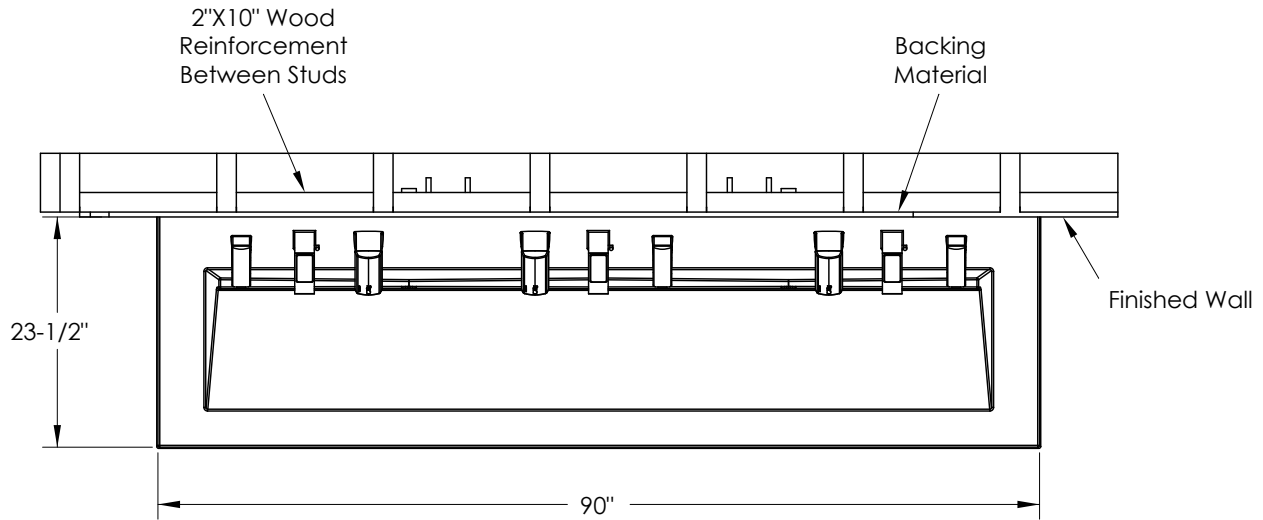
Rough-In (Three Station); Section View



Note: Backing material should equal thickness of drywall, 1/2" min.

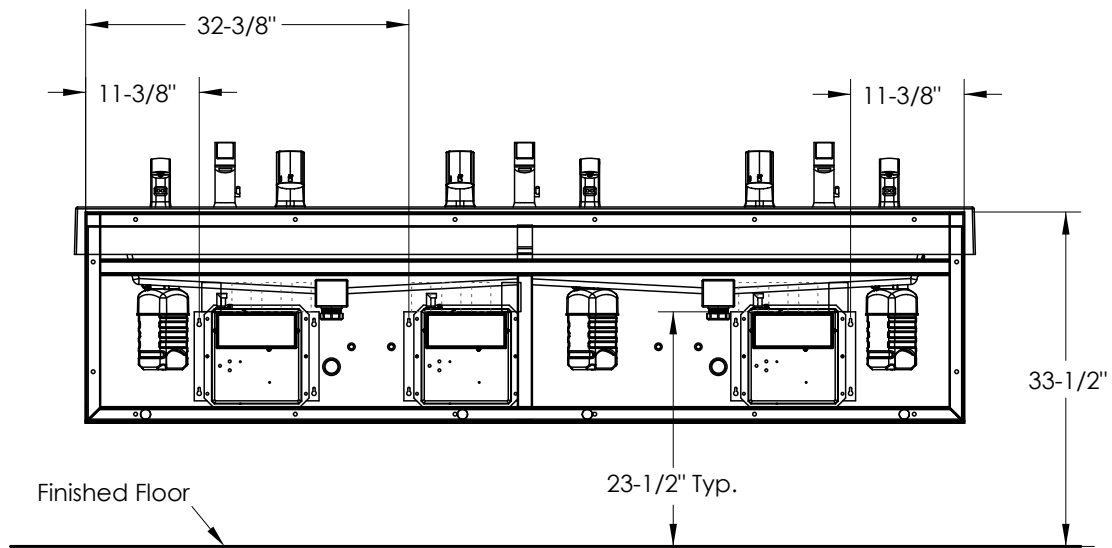
Rough-In (Three Station); Plan View

Figure 17



Rough-In (Three Station); Component Locations, Front View

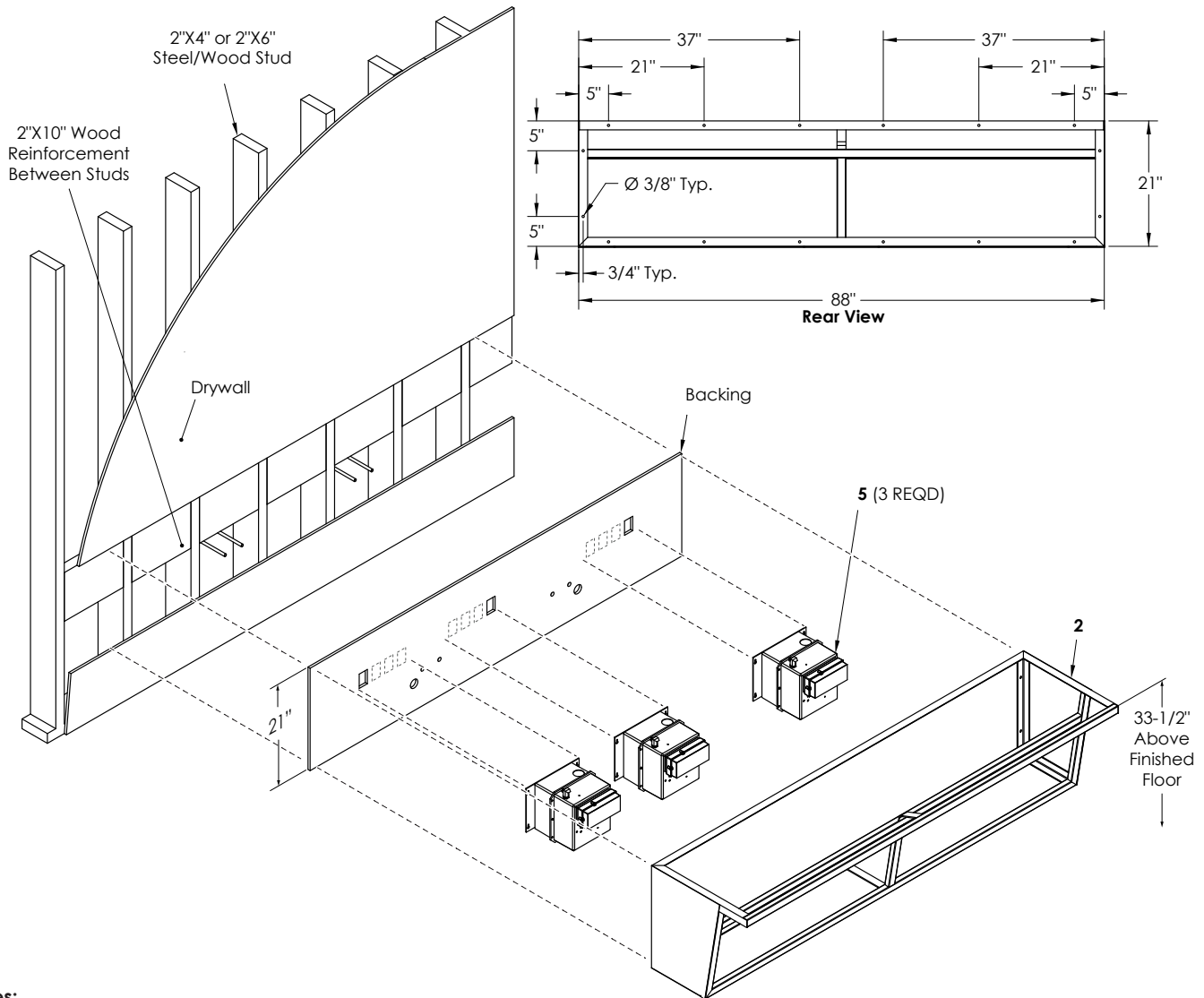
Figure 18



Note: Mount hand dryer motor and soap reservoir to specified locations.

Backing and Enclosure Installation (Three Station)

Figure 19



Notes:

- Due to manufacturer tolerances, all dimensions are for reference only.
- Enclosure must be shimmed to wall to make sure proper leveling and straightness.
- Wood 2"X10" may need to be notched to allow clearance for electrical box and plumbing. DO NOT cut wall support studs.

1. Install Backing (Figure 19) onto wall studs.

Note: Backing supplied by others to meet local codes.

- a. If drywall is present, measure outside of Enclosure (2) and cut out drywall window.
- b. Remove drywall window.
- c. Pre-drill/cut holes for plumbing and electrical.
- d. Install backing into cutout drywall window.

2. Mount Hand Dryer Motor (5, Figure 19) to specified location onto backing. Refer to Figure 18 on page 14 for mounting location.

3. Refer to the template in (Figure 19), mount the Enclosure (2) to the backing. Make Sure that Enclosure (2) is level and the proper distance from the floor.

Note: Anchor enclosure to wall using 1,000 lb pull out mounting fasteners for 3/8" holes (not supplied).

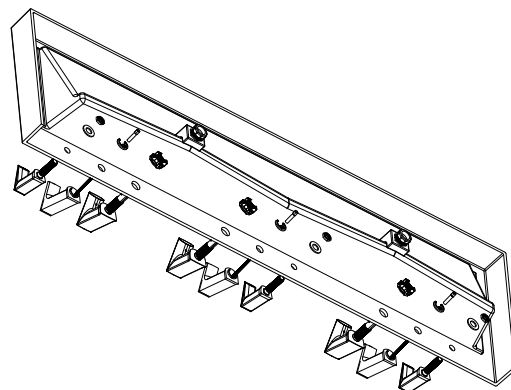
- a. Using mounting fasteners secure Enclosure (2) onto backing, making sure that the top of Enclosure (2) is level and the proper distance from the finished floor.

Faucet, Hand Dryer and Soap Dispenser Installation (Three Station)

Notes:

- For ease of deck installation, leave the deck lying on its front (if no bag hooks are installed) or lying on its back and install component spouts.
- Components shown for reference only.

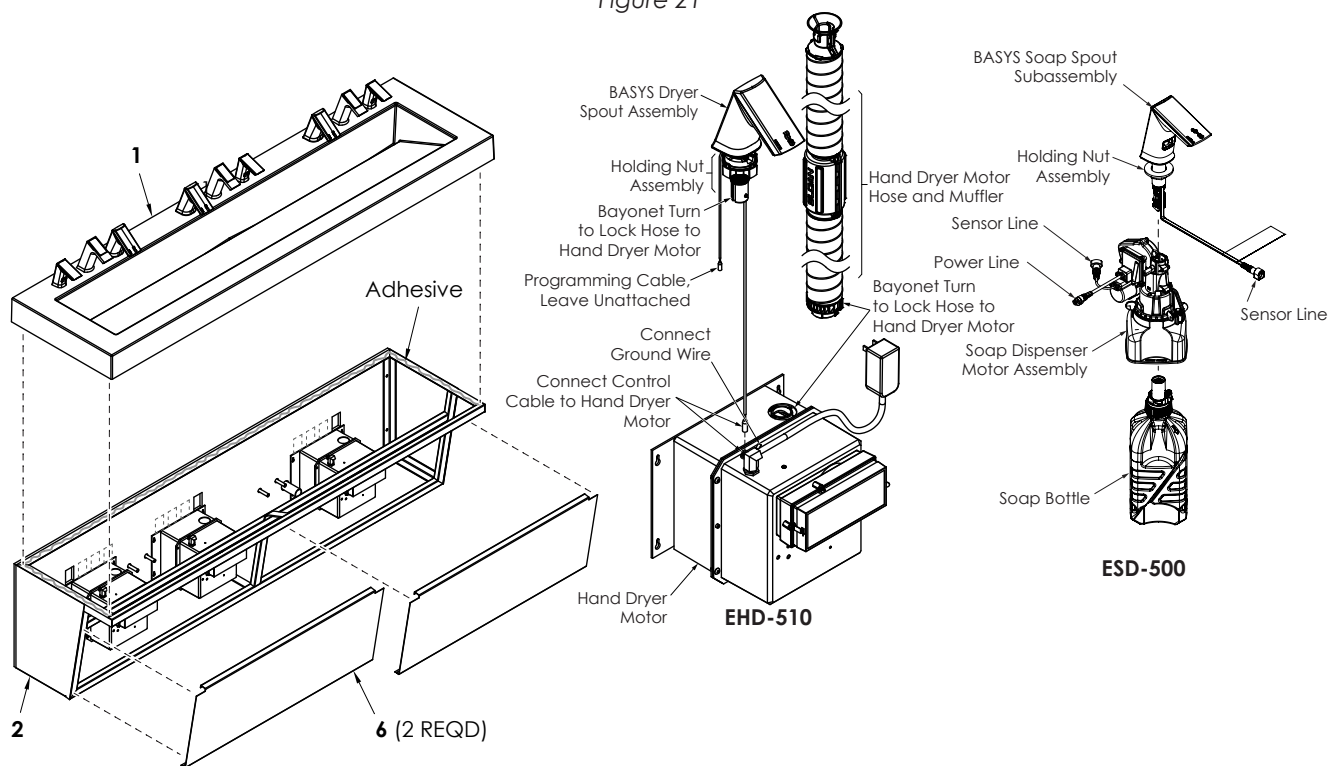
Figure 20



4. Install Faucet, Soap Dispenser and Hand Dryer (Figure 23) onto sink according to manufacturer's instructions provided with components. (See QR codes below for link to Sloan instructions.)

Sink Installation (Three Station)

Figure 21



Note: Hand dryer and soap dispenser, refer to manufacturer instructions provided with component.

5. Install Deck (1, Figure 21) onto Enclosure (2).

Note: Back of Deck (1) may require scribing to finished wall.

- a. Apply adhesive (not supplied) to the top of Enclosure (2).
- b. Lower Deck (1) onto Enclosure (2). Shim all gaps between Enclosure (2) and Deck (1).
- c. Connect Hand Dryer Motor Hose to Hand Dryer Motor.

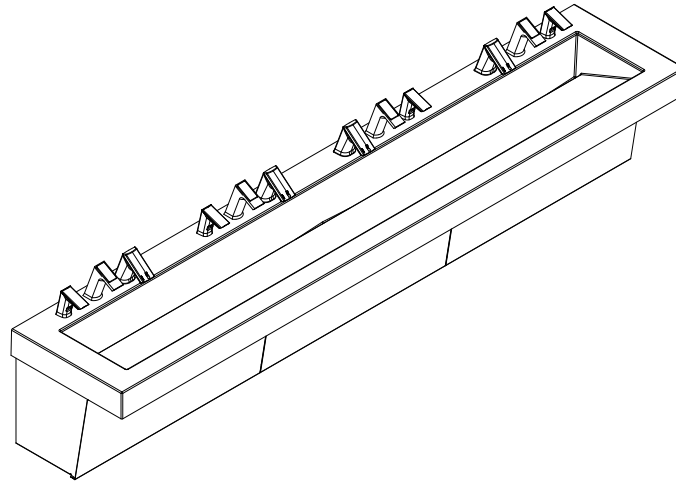
Note: DO NOT connect power unit until air spout is completely installed.

- d. Connect Soap Dispenser Lines to Soap Dispenser.
- e. Install all water connections and drain lines.

6. Remove any and all protective tape and/or wrap. Attach Hook and Hang Access Panel (6) onto Enclosure (2)

ELAD-84000 Integrated Sink System, ELAD

Four Station Solid Surface

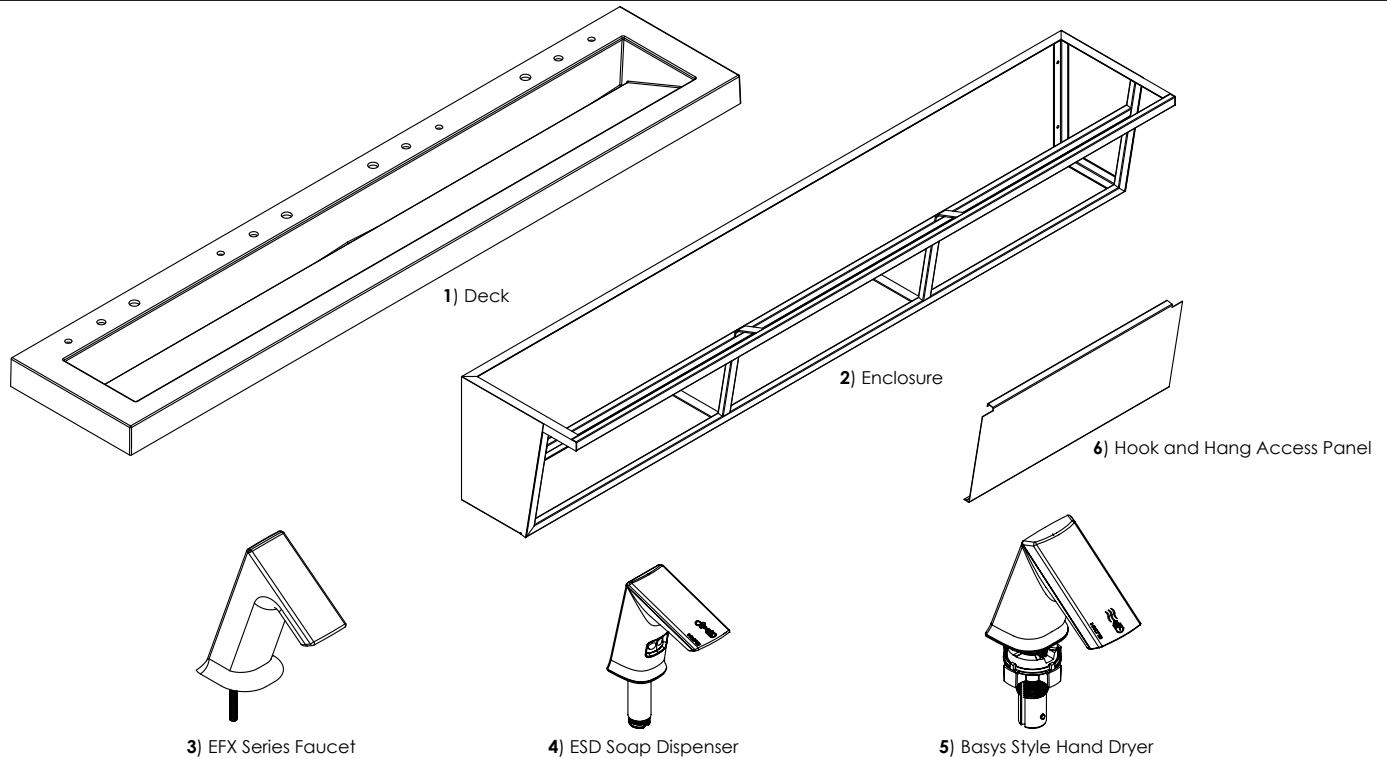


Note:
SloanStone sinks are a one piece molded design with a slight angle outward at the side aprons to facilitate the fabrication process thus the overall length of the sink measured along the bottom edge may be up to 1/2" greater than noted length. SloanStone sinks are commonly available in one to four station lengths (most models) and cannot be seamed together to create a longer sink layout.

Sink Location

Determine the appropriate wall location for the Lavatory System. Consider that hot and cold water supply lines, a drain line, and an electrical source (receptacle for hardwired faucets and hand dryer) will be required. Compare the physical dimensions of the Lavatory System to the space available for the installation. If wall is not load bearing, a carrier may be required behind the wall. Refer to the appropriate Rough-in diagrams for Lavatory System dimensions. Prior to Lavatory System installation, electric wiring, water supply and drain must be installed.

ELAD Four Station Components

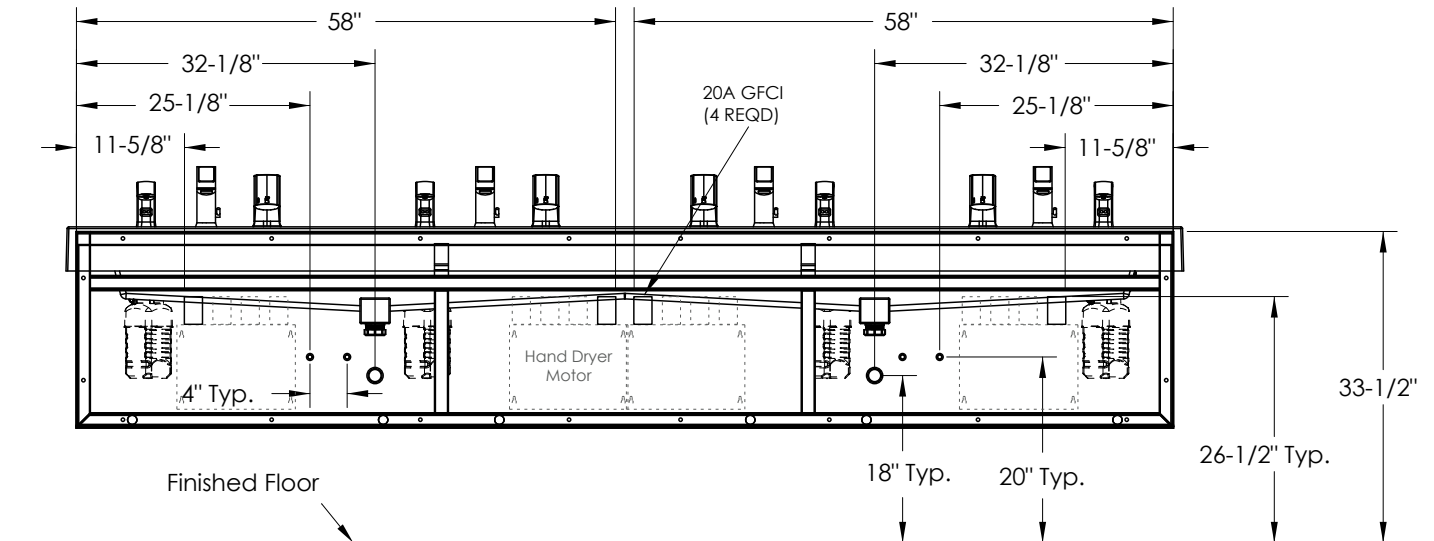


ELAD Four Station Component List

Description	Item Number	Quantity
ELAD, Four Station, Integrated Deck	1	1
Enclosure	2	1
EFX Series Faucet	3	4
Basys Style ESD 500 Soap Dispenser	4	4
Basys Style Hand Dryer	5	4
Hook and Hang Access Panel	6	3

Rough-In (Four Station); Plumbing and Electrical, Front View

Figure 22

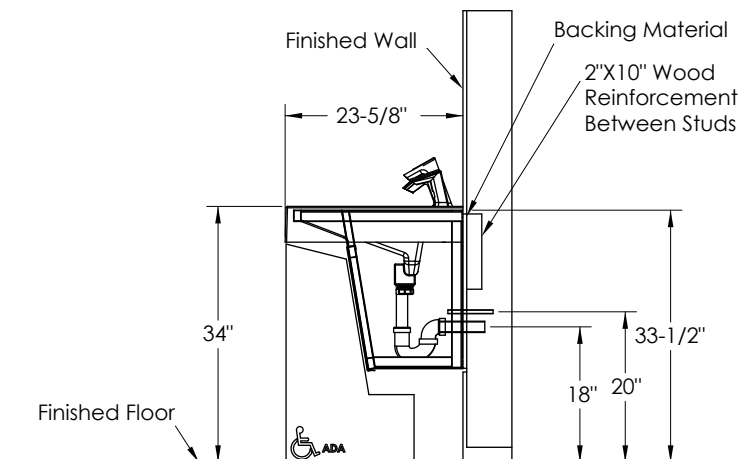


Notes:

- Plumbing and electrical are shown for reference only and may need to be adjusted to accommodate the physical environment and under sink components.
- Hot and cold-water supply line location subject to local codes.
- Hand Dryer Motor alone, without heater option activated, is only 500 watts or less with speed control.
- Hand Dryer with Heater requires 1500 watts or less with speed control.
- Each Hand Dryer Motor must be plugged into a dedicated 20 amp GFCI safety circuit. 20 amp electrical cutout shown as solid lines.
- Other electrical cutouts (dotted lines) are shown for reference only, to allow for multiple 15 amp (or less) plug-in components. The number of circuits required will vary depending on the quantity of outlets needed to support the electrical requirements of these components.
- Cut backing to allow for electrical and plumbing components.
- Electrical boxes need to be flush mounted to backing material, to allow for plumbing and component clearance.

Rough-In (Four Station); Section View

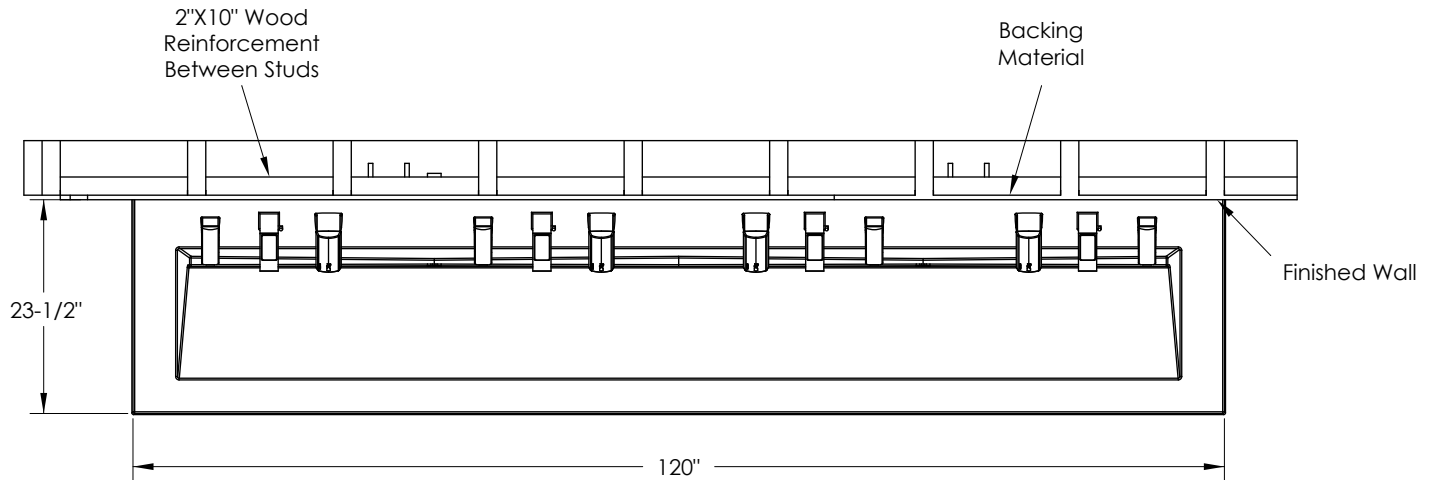
Figure 23



Note: Backing material should equal thickness of drywall, 1/2" min.

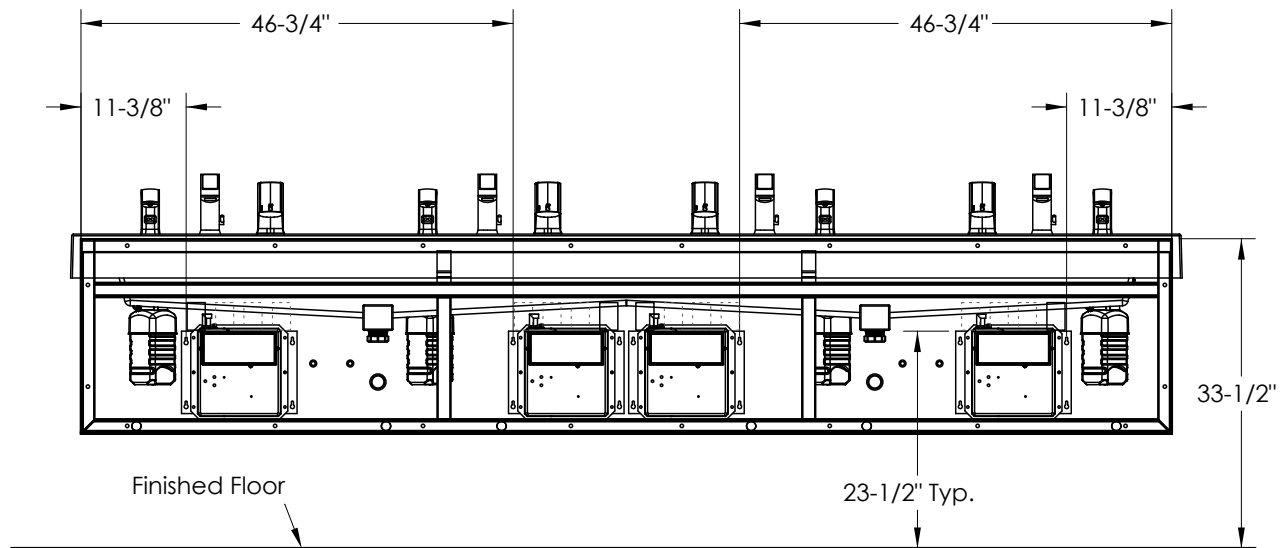
Rough-In (Four Station); Plan View

Figure 24



Rough-In (Four Station); Component Locations, Front View

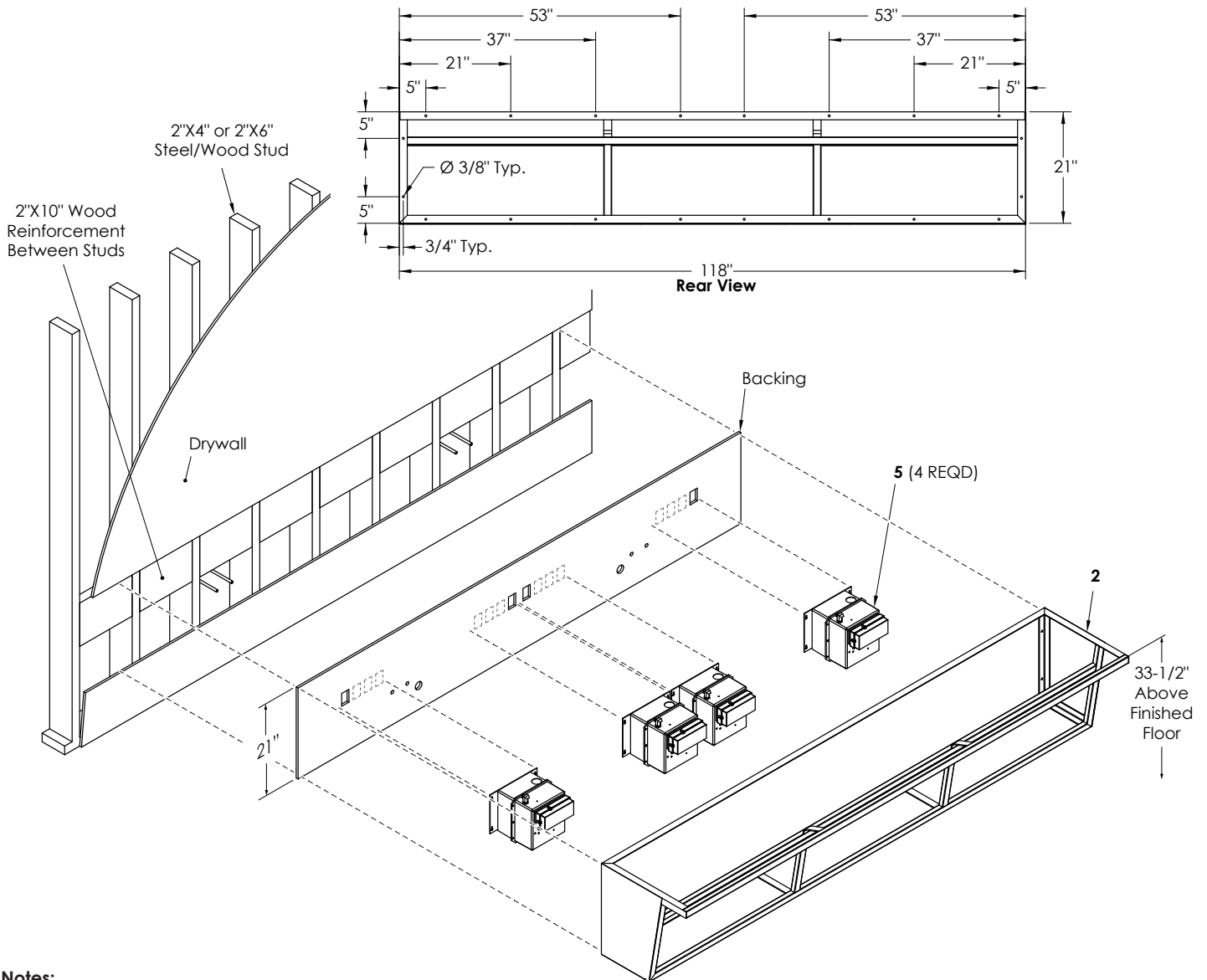
Figure 25



Note: Mount hand dryer motor and soap reservoir to specified locations.

Backing and Enclosure Installation (Four Station)

Figure 26



Notes:

- Due to manufacturer tolerances, all dimensions are for reference only.
 - Enclosure must be shimmed to wall to make sure proper leveling and straightness.
 - Wood 2"x10" may need to be notched to allow clearance for electrical box and plumbing. DO NOT cut wall support studs.
1. Install Backing (Figure 26) onto wall studs.

Note: Backing supplied by others to meet local codes.

 - a. If drywall is present, measure outside of Enclosure (2) and cut out drywall window.
 - b. Remove drywall window.
 - c. Pre-drill/cut holes for plumbing and electrical.
 - d. Install backing into cutout drywall window.
 2. Mount Hand Dryer Motor (5, Figure 26) to specified location onto backing. Refer to Figure 25 on page 19 for mounting location.
 3. Refer to the template in (Figure 26), mount the Enclosure (2) to the backing. Make Sure that Enclosure (2) is level and the proper distance from the floor.

Note: Anchor enclosure to wall using 1,000 lb pull out mounting fasteners for 3/8" holes (not supplied).

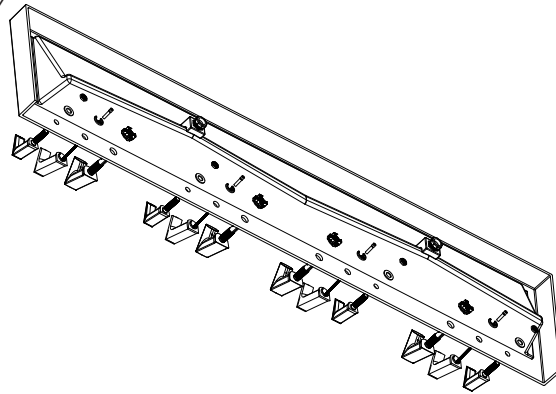
 - a. Using mounting fasteners secure Enclosure (2) onto backing, making sure that the top of Enclosure (2) is level and the proper distance from the finished floor.

Faucet, Hand Dryer and Soap Dispenser Installation (Four Station)

Notes:

- For ease of deck installation, leave the deck lying on its front (if no bag hooks are installed) or lying on its back and install component spouts.
- Components shown for reference only.

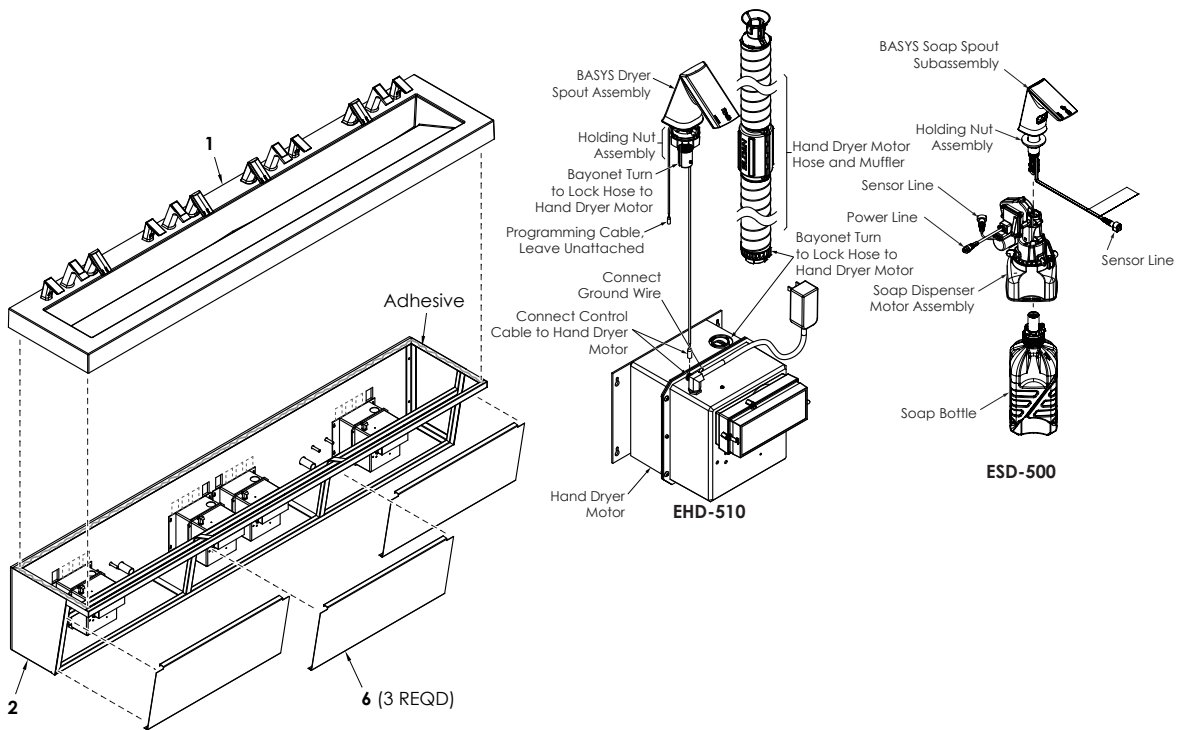
Figure 27



4. Install Faucet, Soap Dispenser and Hand Dryer (Figure 27) onto sink according to manufacturer's instructions provided with components. (See QR codes below for link to Sloan instructions.)

Sink Installation (Four Station)

Figure 28



Note: Hand dryer and soap dispenser, refer to manufacturer instructions provided with component.

5. Install Deck (1, Figure 28) onto Enclosure (2).

Note: Back of Deck (1) may require scribing to finished wall.

- a. Apply adhesive (not supplied) to the top of Enclosure (2).
- b. Lower Deck (1) onto Enclosure (2). Shim all gaps between Enclosure (2) and Deck (1).
- c. Connect Hand Dryer Motor Hose to Hand Dryer Motor.

Note: DO NOT connect power unit until air spout is completely installed.

- d. Connect Soap Dispenser Lines to Soap Dispenser.
- e. Install all water connections and drain lines.

6. Remove any and all protective tape and/or wrap. Attach Hook and Hang Access Panel (6) onto Enclosure (2).

End of ELAD-8400 Installation Instructions