

## Valve Body Inlet and Handle Positions

### FLUSH VOLUMES

Sloan Flushometers are precision metering valves designed to deliver a preset volume of water to a sanitary fixture. The amount of water needed in a flush is determined by the fixture being used. The flush volume supplied with Sloan flushometers have been established by United States and International standards.

gpf=Gallons per Flush      Lpf=Liters per Flush

### WATER CLOSET FLUSHOMETERS

Can be supplied with the following flushing volumes:

- 1.28/1.1 gpf (4.8/4.2 Lpf) Ultra High Efficiency
- 1.6/1.1 gpf (6.0/4.2 Lpf) High Efficiency
- 1.1 gpf (4.2 Lpf) Ultra High Efficiency
- 1.28 gpf (4.8 Lpf) High Efficiency
- 1.6 gpf (6.0 Lpf) Low Consumption
- 2.4 gpf (9.1 Lpf) European Style Bowls
- 3.5 gpf (13.2 Lpf) Water Saver
- 4.5 gpf (17 Lpf) Water Saver
- 6.5 gpf (24.6 Lpf) Service Sink

### URINAL FLUSHOMETERS

Can be supplied with the following flushing volumes:

- 0.125 gpf (0.5 Lpf) Ultra High Efficiency
- 0.25 gpf (0.9 Lpf) Ultra High Efficiency
- 0.5 gpf (1.9 Lpf) High Efficiency
- 1.0 gpf (3.8 Lpf) Low Consumption
- 1.5 gpf (5.7 Lpf) Low Consumption

The above flushing variations can be supplied with:

- Royal • Sloan • Regal XL • Gem 2 XL • Crown • Naval • Dolphin
- G2 • ECOS • Solis • CX

Naval and Dolphin are adjustable valves. Flush volumes can be field adjusted to meet specialized needs.

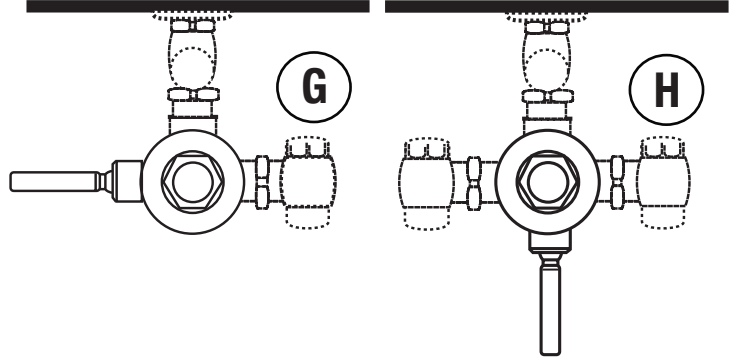
### PVD FINISHES

Sloan flushometers for exposed applications are provided with a chrome plated finish as standard. Concealed valves are unplated (rough brass finish) with all exposed components provided chrome plated. Special finishes can be provided for most valve variations.

- Polished Brass    "PB" model variation
- Satin finish      "SF" model variation
- Brushed Nickel   "BN" model variation
- Brushed Stainless "BS" model variation
- Graphite         "GR" model variation

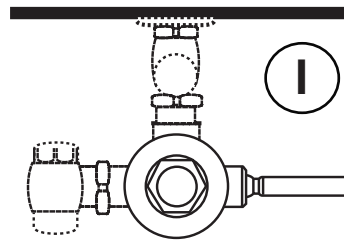
### HANDLE POSITION

For most exposed applications, Sloan flushometers are supplied with the handle in-line (180°) with the water supply inlet. This allows for the water supply to be rough-in either to the right or left of the valve. Concealed flushometers are provided with a double handle opening to allow for the water supply to be roughed-in either to the right or left of the valve. The push button assembly is perpendicular (90°) from the water supply opening. Handle & inlet position can be varied to meet individual user needs.

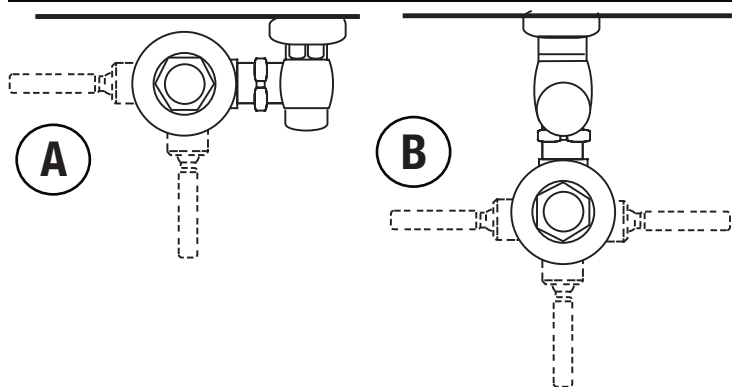


#### HANDLE POSITION

- G** Handle on left side of valve
- H** Handle on front of valve
- I** Handle on right side of valve



### INLET POSITION



#### INLET POSITION

- A** Inlet of right side of valve
- B** Inlet on back of valve
- C** Inlet on left side of valve