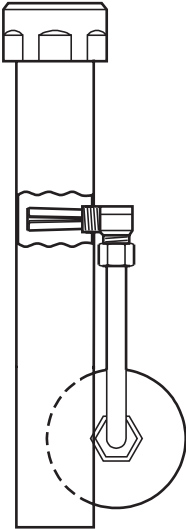


INSTALLATION INSTRUCTIONS VACUUM BREAKER TRAP PRIMER



ROYAL FLUSHOMETER MODELS (Features High Back Pressure Vacuum Breaker)

- VBF-72-A1
- VBF-73-A1 with 2" (50 mm) Offset

REGAL FLUSHOMETER MODELS

- VBF-72-A2
- VBF-73-A2 with 2" (50 mm) Offset

The Sloan vacuum breaker trap primer provides a constant water seal in a floor drain. Each time the flushometer is activated, a small amount of water is diverted to the floor drain to maintain the water seal. This seal prevents objectionable sewer gases from escaping into the air.

Sloan VBF-72 and VBF-73 trap primer models are designed to deliver a minimum discharge of 30 ml per flush when used in conjunction with Royal or Regal 3.5, 1.6 or 1.28 gpf flushometers. The total amount of water diverted varies directly with the number of flushes.

LIMITED WARRANTY

Unless otherwise noted, Sloan Valve Company warrants this product, manufactured and sold for commercial or industrial uses, to be free from defects in material and workmanship for a period of three (3) years (one (1) year for special finishes, SF faucets, PWT electronics and 30 days for PWT software) from date of first purchase. During this period, Sloan Valve Company will, at its option, repair, replace, or refund the purchase price of any product which fails to conform with this warranty under normal use and service. This shall be the sole and exclusive remedy under this warranty. Products must be returned to Sloan Valve Company, at customer's cost. No claims will be allowed for labor, transportation or other costs. This warranty extends only to persons or organizations who purchase Sloan Valve Company's products directly from Sloan Valve Company for purpose of resale. This warranty does not cover the life of the batteries.

THERE ARE NO WARRANTIES WHICH EXTEND BEYOND THE DESCRIPTION ON THE FACE HEREOF. IN NO EVENT IS SLOAN VALVE COMPANY RESPONSIBLE FOR ANY CONSEQUENTIAL DAMAGES OF ANY MEASURE WHATSOEVER.

PRIOR TO INSTALLATION

Perform the following functions using the rough-in guides illustrated in Figures A and B:

- Install flushometer following the instructions included with the valve. Use these instructions to replace ONLY the instructions for a Vacuum Breaker Flush Connection.
- Install piping from connection on the floor drain to a desired location on the wall (determined by installer). (Sloan does not supply the piping for this connection.)

Note: Be sure that approximately 1" (25 mm) of a ½" (13 mm) NPT male pipe protrudes from the wall.

TOOLS REQUIRED FOR INSTALLATION

- Smooth jawed spud wrench or Sloan A-50 "Super-Wrench™" for couplings
- Tube Bender
- Tube Cutter (if necessary)
- Thread sealant

INSTALLATION

These installation instructions replace ONLY the standard step for a Vacuum Breaker Flush Connection Installation.

Table 1 †

For Royal or Regal Flushometer Model	"L" Length of Vacuum Breaker Flush Connection	"A" Centerline of Supply to Top of Bowl	"B" Centerline of Supply to Trap Primer Outlet	"C" Critical Line to Trap Primer Outlet
110/111 ‡	8½" (216 mm)	11½" (292 mm)	7" (178 mm)	2¼" (57 mm)
113/113-1.6	13" (330 mm)	16" (406 mm)	11" (280 mm)	6¼" (159 mm)
115/115-1.6	21" (533 mm)	24" (610 mm)	11" (280 mm)	6¼" (159 mm)
116/116-1.6	24" (610 mm)	27" (696 mm)	11" (280 mm)	6¼" (159 mm)
VBF-73-A With 2" (50 mm) Offset				
115/115-1.6	22½" (572 mm)	25" (635 mm)	11" (280 mm)	6¼" (159 mm)
116/116-1.6	25½" (648 mm)	28" (711 mm)	11" (280 mm)	6¼" (159 mm)

† Refer to Figure A for dimensions "A," "B" and "C." Refer to Figure B for dimensions "L" and "C."

‡ Consult local codes for approval of the use of the VBF-72 trap primer with flushometer models 110/111. Some codes require a minimum distance of 6" (153 mm) between the critical line of the vacuum breaker and the trap primer outlet. In these cases, specify models 113, 115 or 116.

Figure A

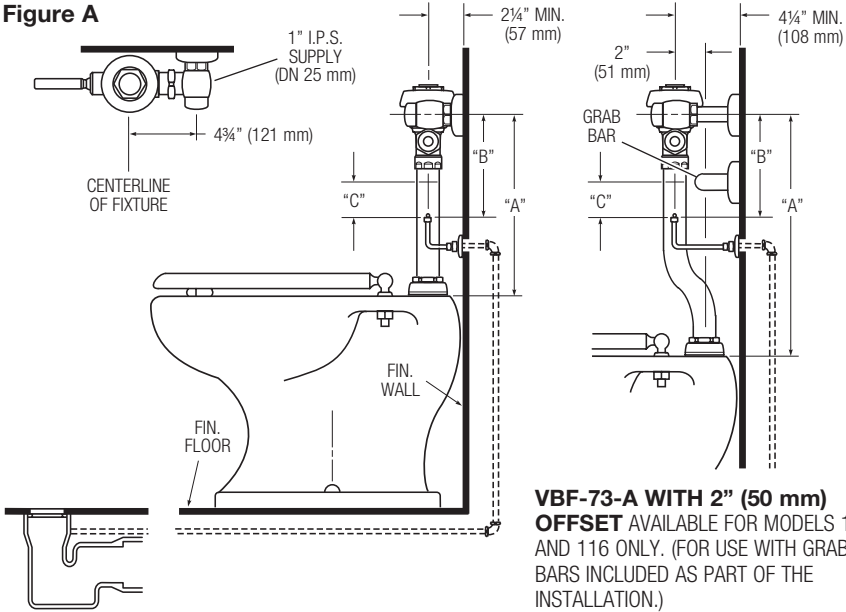
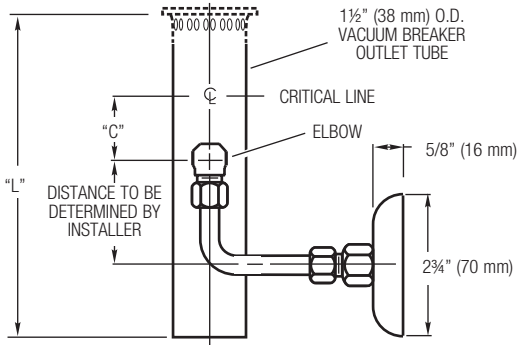


Figure B



1 - INSTALL WATER DEFLECTOR AND ELBOW (FIG. 1)

Insert the smaller end of the black plastic water deflector into the threaded end of the elbow fitting. The flat end of the elbow fitting will face outward from the vacuum breaker.

Place several drops of thread sealant on the threads of the elbow fitting. Insert the elbow fitting and water deflector into the threaded hole of the vacuum breaker tube. Screw the fitting into place. DO NOT overtighten this connection. The final position of the elbow should allow water flow from the vacuum breaker in a downward direction.

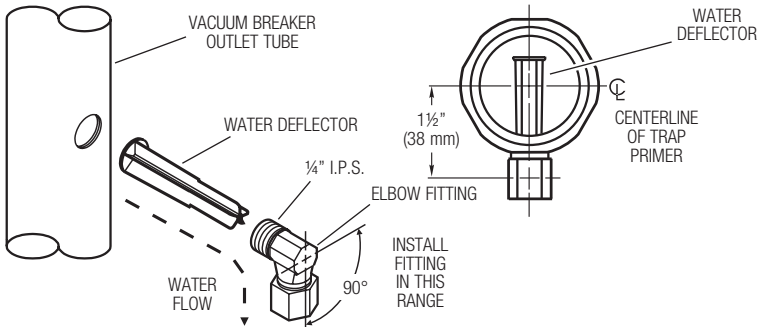


Figure 1

2 - INSTALL WALL FLANGE (FIG. 2)

Place wall flange over the 1/2" (13 mm) NPT male pipe used as the trap primer outlet. Push wall flange until it is flush against the wall. Connect the 1/2" (13 mm) NPT female tube fitting to the pipe. The fitting will help keep the wall flange in position.

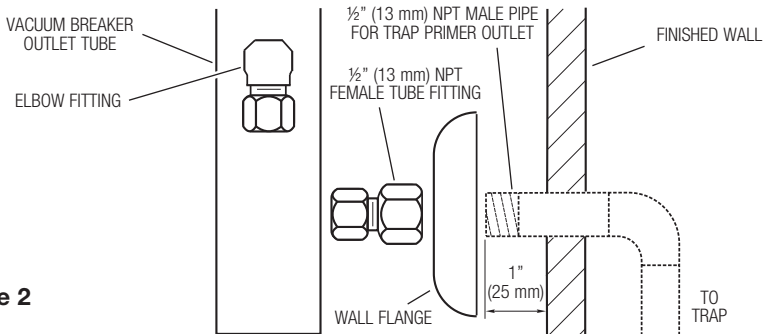
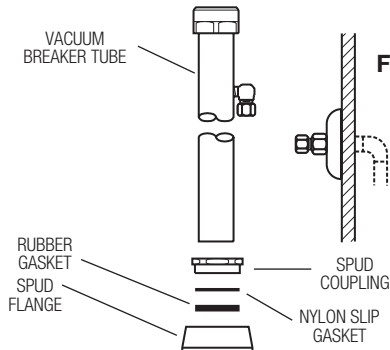


Figure 2

3 - INSTALL VACUUM BREAKER FLUSH CONNECTION (FIG. 3)

Slide the spud coupling, nylon slip gasket, rubber gasket and spud flange (all supplied with a standard flushometer vacuum breaker) over the vacuum breaker tube and insert the tube into the fixture spud. Tighten the spud coupling onto the fixture spud by hand.



4 - INSTALL FLEXIBLE TUBING (FIG. 4)

Prior to inserting the flex tube into the elbow fitting, ensure that the restrictor washer has been inserted into the elbow fitting. The restrictor washer prevents too much water from being diverted away from the bowl. This helps ensure optimal bowl performance, even when used with 1.28 gpf (4.8 Lpf) High-Efficiency Toilets.

Use the 3/8" (9 mm) diameter flex tubing to connect the bottom of the elbow fitting with the restriction washer to the tube fitting at the wall flange. Sloan provides a 12" (305 mm) length of flex tubing. Bend tube to fit installation and cut to appropriate length (DO NOT CUT END WITH LABEL). Tighten compression fittings at both ends of the flex tubing. Complete the valve installation according to the installation instructions included with your Sloan flushometer.

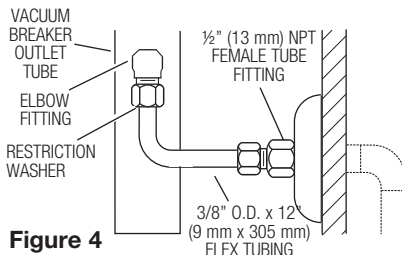


Figure 4

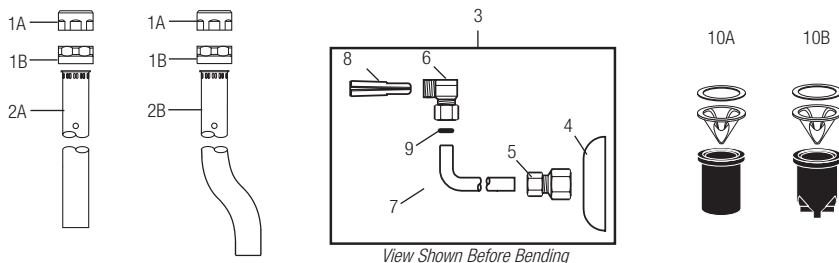
CARE AND CLEANING

DO NOT use abrasive or chemical cleaners to clean flushometers, they may dull the luster and attack the finish. Use ONLY soap and water, and then wipe dry with a clean towel or cloth. When cleaning, protect the exposed flushometer from any splattering of cleaner. Acids and cleaning fluids can discolor or remove chrome plating.

When further assistance is required, please contact Sloan Technical Support at: 1-888-SLOAN-14 (1-888-756-2614).

Manufactured in the U.S.A. by Sloan Valve Company under one or more of the following patents: 5,373,592; 5,564,460. Other Patents Pending: Permex®.

PARTS LIST



Item No.	Part No.	Description
1A	V-579	Vacuum Breaker Coupling for Royal flushometers
1B	V-553-A	Vacuum Breaker Coupling Assembly for Regal flushometers
2A	VBF-2	1½" (38 mm) x "L" Vacuum Breaker Outlet Tube (see Table 1 for length)
2B	VBF-4	1½" (38 mm) x "L" Vacuum Breaker Outlet Tube with 2" (50 mm) Offset (see Table 1 for length)
3	F-75-AA	Assembly Kit for Trap Primer
4	F-7	Wall Flange
5	F-73-A	Tubing Fitting
6	F-75-A	Elbow Compression Fitting
7	F-76	3/8" (9 mm) x 12" (305 mm) Flexible Tubing
8	F-88	Water Deflector
9	VBF-9	Restrictor Washer
10A	V- 651-A	High Back Pressure Vacuum Breaker Repair Kit (standard with Royal flushometers)
10B	V- 551-A	Vacuum Breaker Repair Kit (standard with Regal flushometers)

The information contained in this document is subject to change without notice

SLOAN • 10500 SEYMOUR AVENUE • FRANKLIN PARK, IL 60131

Phone: 1.800.9.VALVE.9 or 1.847.671.4300 • Fax: 1.800.447.8329 or 1.847.671.4380 • sloan.com