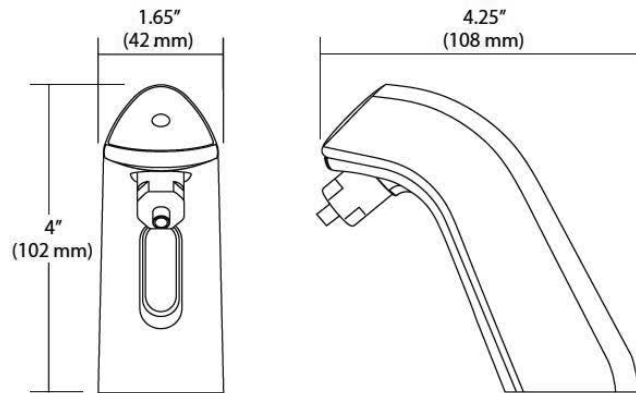
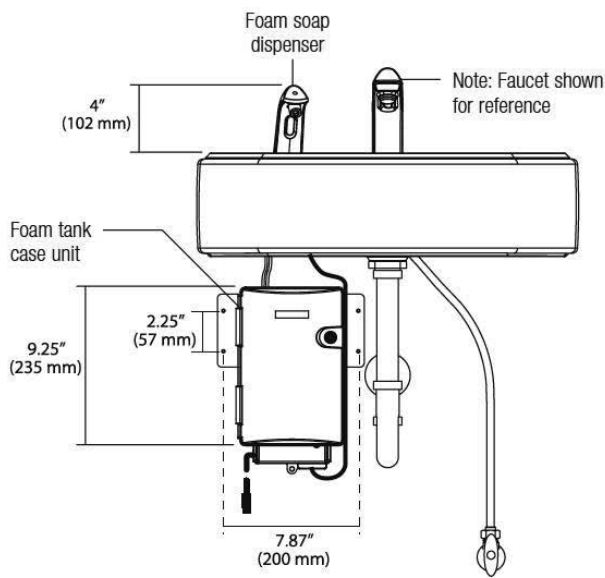


SJS-1750 Foam Soap Dispenser DISCONTINUED



PARTS LIST—SENSOR-ACTIVATED, DECK-MOUNT FOAM SOAP DISPENSER

Item No.	Code No.	Part No.	Description
—	5700751	SJS-1751	Sensor Deck-Mount Foam Soap
—	5700752	SJS-1751-1	Sensor Deck-Mount Foam Soap with Moisturizers
—	5700754	SJS-1751-3	Sensor Deck-Mount Foam Soap Green Seal (Fragrance Free)
1.	7000027	SJS-55-A	Soap Dispenser Nozzle
—	—	—	Mesh Insert & O-ring



DISCONTINUED SOAP DISPENSER

SJS-1750 Foam Soap Dispenser
DISCONTINUED

TROUBLESHOOTING GUIDE

1. Unit DOES NOT operate.

- A. Check operation switch is on.
- B. Check power plug is securely inserted into the outlet.

2. Soap DOES NOT dispense.

- A. Soap bottle needs replacing.
- B. Check soap dispensing nozzle for clog.
- C. Check hand sensor.

3. Liquid soap is not in foam state.

- A. Check mesh is mounted in the foam-dispensing nozzle.

CLEANING THE HAND SENSOR

Clean the hand sensor periodically (about once a month) according to the following procedure:

- Press the operation switch to OFF (the operation light goes off).
- Gently wipe the hand sensor area with a cloth moistened with warm water.
- Press the operation switch to ON (the operation light goes on).
- Make sure that the nozzle properly dispenses foam soap.

NOTE: DO NOT leave water drops on the hand sensor area. Remaining water drops may cause malfunction.

CLEANING FOAM SOAP DISPENSER

If the tip of the soap nozzle is clogged, the dispensing capability may fail or function partially. Clean the nozzle according to the following procedure:

- Press the operation switch to OFF (the operation light goes off).
- Remove the foam soap dispensing nozzle and then the internal mesh. Wash it with lukewarm water.
- Turn ON the operation switch (the operation light goes on). Check the foam soap spraying state.
- Repeat as needed.

When assistance is required, please contact

Sloan Technical Support at: 1-888-SLOAN-14 (1-888-756-2614).

DISCONTINUED SOAP DISPENSER