



Flushometer Retrofits

Converting for Hygiene and Sustainability



Shown: SOLIS® RESS Retrofit on Royal® 186 Flushometer with SU-7409 Designer Urinal.



Upgrade for improved hygiene and increased water efficiency.

Sloan retrofit products improve the hygiene of any commercial restroom while saving water, time, and money. Sloan offers a wide variety of easy-to-install touch-free sensor and manual retrofit products, including SaniGuard® and CuVerro® technologies that provide an extra layer of protection from disease-causing bacteria. Our touch-free technology extends to Sloan's sensor faucets, soap dispensers, and hand dryers to ensure optimal hygiene for a total restroom solution.

Learn more at sloan.com/retrofits

Hygiene is important in any commercial restroom, but it's especially critical where larger numbers of people may be exposed to germs:

- ✔ Hospitals
- ✔ Airports
- ✔ Stadiums
- ✔ Schools
- ✔ Restaurants

Top-mount Retrofit

Sloan's industry-leading retrofit products convert existing manual flushometers to hygienic, touch-free sensor operation. ECOS® and G2 top-mount retrofits are available as standard or with Bluetooth technology to sync with our Sloan Connect App®.



POWER HARVESTING OPTION

SOLIS®

SOLIS RESS

- Bluetooth-enabled option available
- Solar-powered panel with battery backup
- Dual and single-flush models
- Extends battery life with solar power harvesting
- Up to 8 years of battery life
- Water closet 1.28-3.5 gpf/
Urinal 0.125-1.5 gpf



WATER SAVING OPTION

ECOS

ECOS RESS

- Bluetooth-enabled option available
- Dual and single-flush models
- 30% water savings with a reduced flush
- High/low detection with multiple focus sensing
- Up to 6 years of battery life
- Water closet 1.28, 1.28/1.1 gpf, 1.6/1.1 gpf/
Urinal 0.125-0.5 gpf



BEST SELLER

G2

G2 RESS

- Bluetooth-enabled option available
- Performs well in low water quality environments
- Electronic override button for a courtesy flush
- Up to 6 years of battery life
- Water closet 1.28-4.5 gpf/
Urinal 0.25-1.5 gpf



RUGGED COVER OPTION

SLOAN®

SLOAN RESS MC

- All metal cover offering
- Electronic override button for a courtesy flush
- Up to 6 years of battery life
- Water closet 1.28 and 1.6 gpf/
Urinal 0.125-1.0 gpf



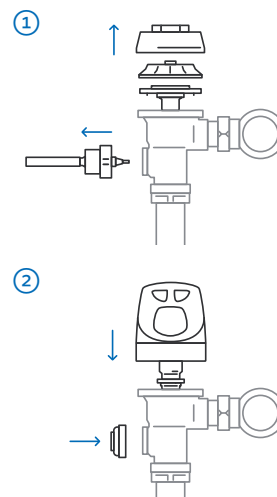
BUDGET-FRIENDLY OPTION

SLOAN

SLOAN RESS

- Economical retrofit solution
- Electronic override button for a courtesy flush
- Up to 6 years of battery life
- Water closet 1.28-4.5 gpf/
Urinal 0.125-1.5 gpf

Installation



① Remove flushometer valve body cover and internal parts, then remove handle assembly and gasket.

② Replace the side handle assembly with new handle cap (included) and screw on sensor assembly with new internal parts.

Prior to retrofit, turn off water supply at control stop and push valve handle to relieve water pressure.

Side-mount Retrofit

To reduce the number of surfaces users touch in a commercial restroom, Sloan sensor side-mount retrofits easily convert existing manual flushometers to touch-free sensor operation.



WATER SAVING OPTION

Dual-flush Side-mount

EBV-550-A

- 30% water savings with a reduced flush
- True Mechanical Override ensures manual flush if batteries are low
- Up to 3 years battery life
- Flush volume for water closets 1.1/1.6 gpf—only for use with existing 1.6 gpf flushometer model



BEST SELLER

Single-flush Side-mount

EBV-500-A

- Keeps drain lines clean with a 72 hour automated Sentinel flush
- True Mechanical Override ensures manual flush if batteries are low
- Up to 3 years battery life
- Flush volume determined by existing flushometer model



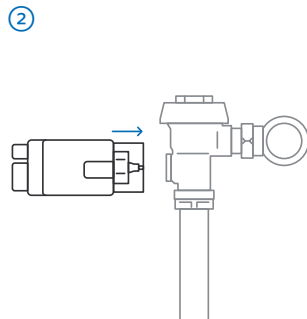
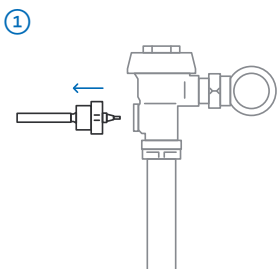
MOST COMPACT

SMO

EBV-89-A

- Electronic override
- Compact and dependable performance
- Up to 3 years of battery life
- Flush volume determined by existing flushometer model

Installation



① Remove the existing handle by loosening handle coupling.

② Install side-mount and tighten coupling.

Water does not need to be shut off. Use caution to not activate the valve.

Over-the-handle Retrofit

Sloan's easiest to install battery-powered infrared sensor flushometer for automatic touch-free operation for urinals and water closets.



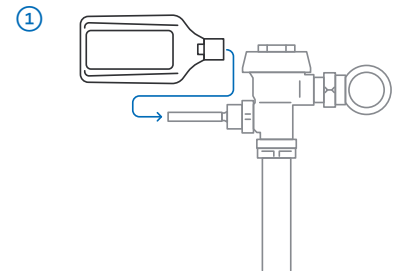
EASY INSTALLATION

SMOOTH®

EBV-200-A

- True Mechanical Override ensures manual flush if batteries are low
- Installs over existing handle
- Up to 2 years of battery life
- Flush volume determined by existing flushometer model

Installation



- ① No adjustments needed. Slide the handle mount over the existing flushometer handle and tighten.

Water does not need to be shut off. Use caution to not activate the valve.



Shown: Over-the-handle Retrofit (EBV-200-A) on Crown® 111 Flushometer.

Handle Retrofit

Sloan manual retrofit handles come in a variety of hygienic and water conserving options. CuVerro® is a copper surface that continuously kills bacteria* left behind by dirty hands, killing more than 99.9% of bacteria within 2 hours.



MOST HYGIENIC

CuVerro® Handle

B-73-A-CV

- CuVerro handles are made from an EPA-registered antimicrobial alloy
- Certified to kill 99.9% of bacteria* within 2 hours continuously
- CuVerro handles supplement regular cleanings to help prevent contamination



ANTIMICROBIAL PROTECTION

SaniGuard® Handle

B-73-A-SG

- Coated to inhibit the growth of common bacteria, molds, and fungi
- Provides an extra layer of protection for flushometer handles
- Offers active bacteria reduction properties that last the life of the product



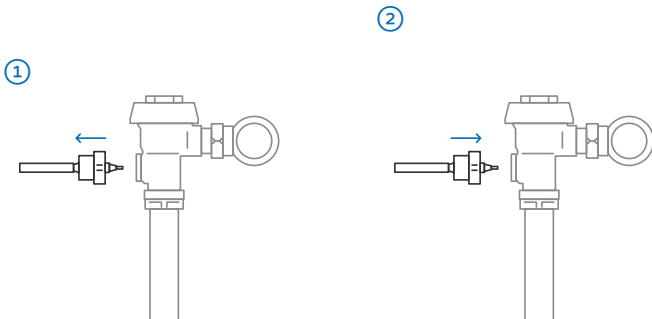
MAXIMUM EFFICIENCY

UPPERCUT® Handle

WES-212-A

- Antimicrobial coating inhibits the growth of bacteria
- Dual-flush options help reduce water consumption by up to 30%
- Includes instructional wall plate

Installation



① Remove handle coupling and gasket from flushometer valve body.

② Replace with handle assembly and new gasket using the existing handle coupling.

Water does not need to be shut off. Use caution to not activate the valve.

Shown: CuVerro® Handle Retrofit on Royal® 111 Flushometer
with ST-2459 Wall-hung Water Closet.



*Laboratory testing shows that, when cleaned regularly, CuVerro surfaces kill greater than 99.9% of the following bacteria within 2 hours of exposure: Methicillin-resistant *Staphylococcus aureus*, *Enterobacter aerogenes*, *Pseudomonas aeruginosa*, *E. coli* O157:H7, and Vancomycin-resistant *Enterococcus faecalis* (VRE).



Sensing technology for touch-free activation of commercial plumbing fixtures improves overall hygiene and cleanliness in the restroom, enhances user accessibility in compliance with ADA, and conserves water and energy. Sloan's touch-free restroom solutions include sensor-activated flushometers, faucets, soap dispensers, and hand dryers for an optimized, hygienic, and sustainable commercial restroom experience.

On Cover: SOLIS® RESS Retrofit on Royal® 111 Flushometer with ST-2459 Wall-hung Water Closet.
On Back: Single-flush Side-mount Retrofit (EBV-500-A) on Regal® 111 Flushometer.



World Headquarters

10500 Seymour Avenue
Franklin Park, IL 60131
U.S.A.
800.982.5839
sloan.com

Follow Sloan

f /sloanvalvecompany
t @sloan_valve
@ @sloan_valve
p /sloan_valve
in /sloan-valve-company