

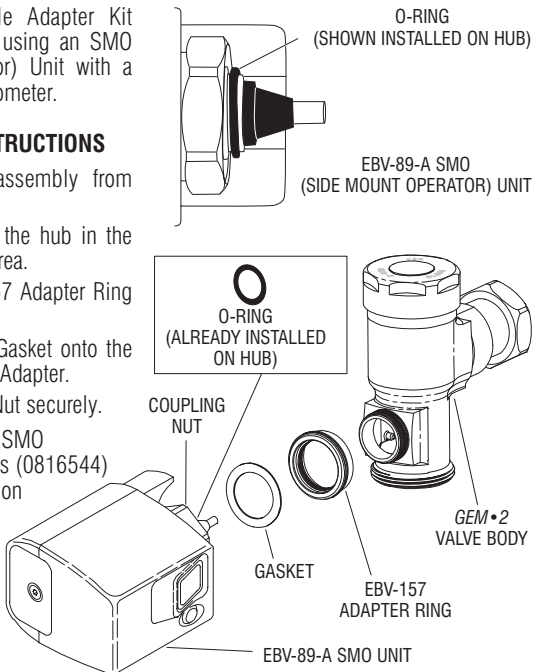
For use with Gem • 2[®] Flushometers when converting to a Sensor Activated SMO (Side Mount Operator) Unit

The EBV-157 Handle Adapter Kit must be used when using an SMO (Side Mount Operator) Unit with a Sloan Gem•2[®] Flushometer.

INSTALLATION INSTRUCTIONS

1. Remove handle assembly from flushometer.
2. Place O-ring over the hub in the SMO connection area.
3. Thread the EBV-157 Adapter Ring onto Valve Body.
4. Mount SMO with Gasket onto the male thread of the Adapter.
5. Tighten Coupling Nut securely.

Refer to the complete SMO Installation Instructions (0816544) for additional Installation Information.



EBV-157 I.I. — Rev. 0 (03/08)
Code No. 0816489

If assistance is required when installing the EBV-157 Handle Adapter Kit, please contact Sloan Installation Engineering at 1-888-SLOAN-14 (1-888-756-2614), or contact your nearest Sloan Representative Office.

The information contained in this document is subject to change without notice.

SLOAN VALVE COMPANY • 10500 SEYMOUR AVENUE • FRANKLIN PARK, IL 60131

Phone: 1-800-9-VALVE-9 or 1-847-671-4300 • Fax: 1-800-447-8329 or 1-847-671-4380
Copyright © 2008 Sloan Valve Company www.sloanvalve.com Printed in the U.S.A.