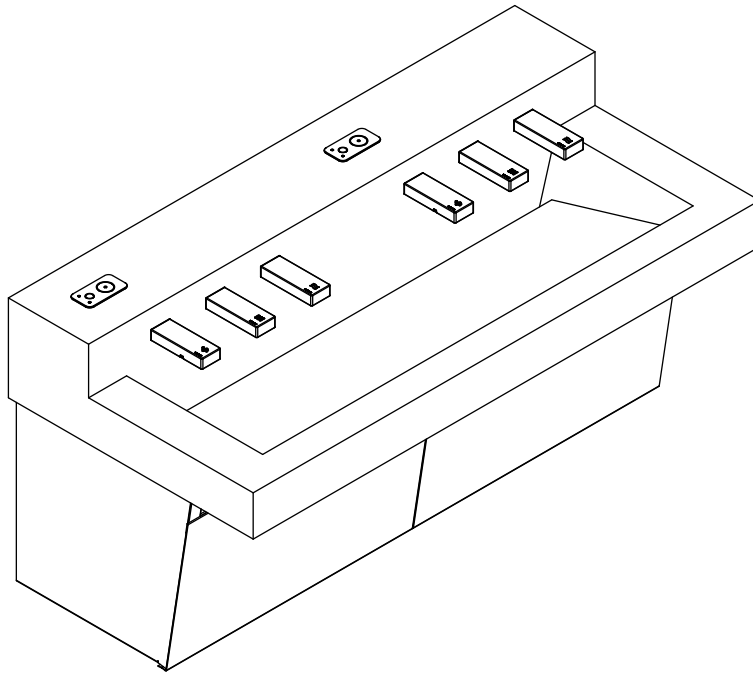


FD82000 FLITE-DEC® Lavatory w/Enclosure

Two Station Solid Surface



Important



Read this entire installation manual to ensure proper installation. When finished with the installation, file this manual with the owner or maintenance department. Compliance and conformity to local codes and ordinances is the responsibility of the installers.



Separate parts from packaging and make sure all parts are accounted for before discarding any packaging material. If any parts are missing, do not begin installation until all parts are obtained.



Make sure that all water supply lines have been flushed and completely turned off before starting the installation. Debris in supply lines can cause valves to malfunction.



Turn off electrical power to the electrical outlets, then unplug units prior to installation. Electrical power **MUST** remain off until installation is complete.



Installers hardware must be appropriate for wall construction. Wall anchors and mounting fasteners **MUST** have a minimum pull-out rating of 1,000 lbs.



For standard height mounting, **DO NOT** exceed the recommended 34 inch distance from the top of the lav deck to the finished floor. To meet ADA requirements the lav deck cannot not exceed the 34 inch maximum height dimension.

Tools and Supplies Required for Installation

- Electric drill for drilling anchor holes.
- Standard sockets, basin wrench, and open end wrench set for installing anchoring fasteners and faucets.
- Pipe wrench for installing drain lines.
- Phillips and straight blade screwdrivers.
- Tubing cutter
- Level
- Carpenter's square
- Caulk gun
- 1/2" NPT hot/cold or tempered supply piping
- 1 1/2" NPT drain piping including p-trap
- Adhesive: Loctite® PL Premium® FAST GRAB Polyurethane Construction Adhesive
- 110 volt GFCI protected electrical outlet for 100-120 VAC plug-in transformer
- Screen filter(s) included with faucet(s)
- Backing supplied by others to meet local codes

Prior to Installation

CAUTION

- ADEQUATE STRUCTURAL SUPPORT IN OR BEHIND THE WALL IS REQUIRED.
- ALL ELECTRICAL WIRING IS TO BE INSTALLED IN ACCORDANCE WITH NATIONAL/LOCAL CODES AND REGULATIONS. ELECTRICAL OUTLETS SHOULD BE RECESSED AND INSTALLED PRIOR TO INSTALLATION.
- ALL PLUMBING SHOULD BE INSTALLED IN ACCORDANCE WITH APPLICABLE CODES AND REGULATIONS.
- BEFORE CONNECTING FLEX HOSES TO SUPPLY STOPS, FLUSH ALL WATER LINES UNTIL WATER IS CLEAR.
- HOT AND COLD WATER SUPPLY LINES/TEMPERED SUPPLY LINE AND DRAIN LINES. RECOMMENDED TO HAVE CONTROL STOPS ON WATER SUPPLY LINES IN PLACE PRIOR TO INSTALLATION.

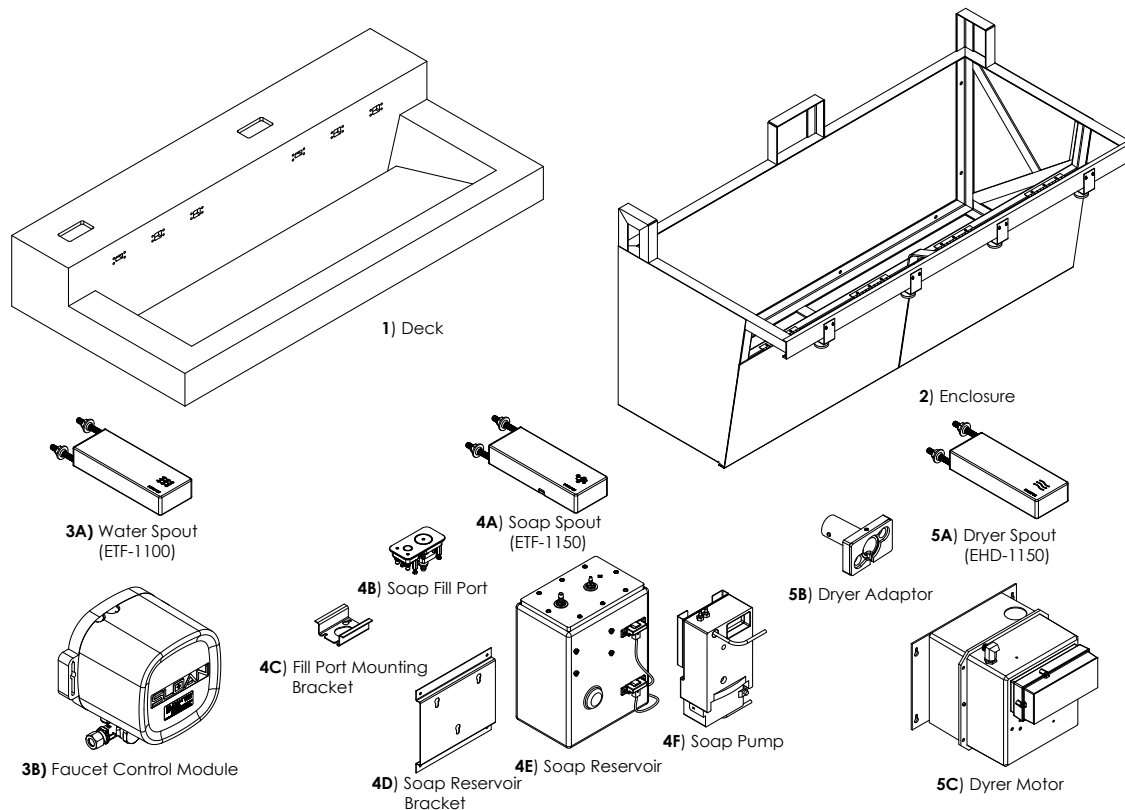
Sink Location

Determine the appropriate wall location for the Lavatory System. Refer to original spec sheets for correct placement of electrical and plumbing locations. If wall is not load bearing, a carrier may be required behind the wall. Refer to the appropriate Rough-In diagram for Lavatory System dimensions. Prior to Lavatory System installation, electric wiring, water supply and drain must be installed.

Sloan® Limited Warranty Summary

Sloan Valve Company ("Sloan"), warrants its products against defects in materials and workmanship, excluding damage caused by matters beyond Sloan's reasonable control. Instructions for filing claims can be found in the Limited Warranty which can be obtained at www.sloan.com or by requesting a free copy by telephone at 888.756.2614. Sloan will repair or replace your defective product, or provide a refund, as your exclusive remedy. This is only a general summary of Sloan's Limited Warranty so it is important to note that the specific terms, conditions, limitations and exclusions, including the duration of warranty coverage for your particular Sloan product, are contained in the actual Sloan Limited Warranty. The Limited Warranty is subject to applicable laws in your country, state, province or other jurisdiction—and disputes arising under the Limited Warranty are to be resolved by binding arbitration unless you provide Sloan with an opt-out notice no later than 30 days after your purchase date. In case of a conflict with this summary, the terms and conditions set forth in the complete Limited Warranty will prevail.

Components

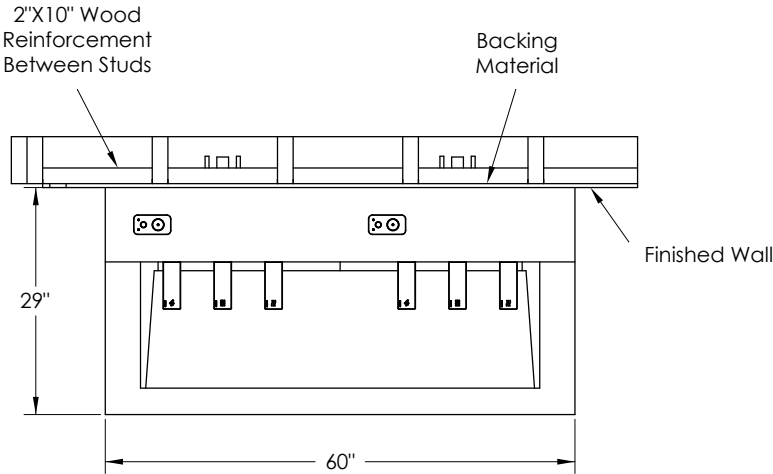


Components List

Description	Item Number	Quantity
Two Station, Deck	1	1
Enclosure	2	1
ETF-1100 Sensor Faucet	3A	2
Faucet Control Module	3B	2
ESD-1150 Sensor Soap Dispenser	4A	2
Soap Fill Port	4B	2
Fill Port Mounting Bracket	4C	2
Soap Bracket	4D	2
Soap Reservoir	4E	2
Soap Pump	4F	2
EHD-1150 Dryer Spout	5A	2
Dryer Adpapter	5B	2
Hand Dryer Motor	5C	2

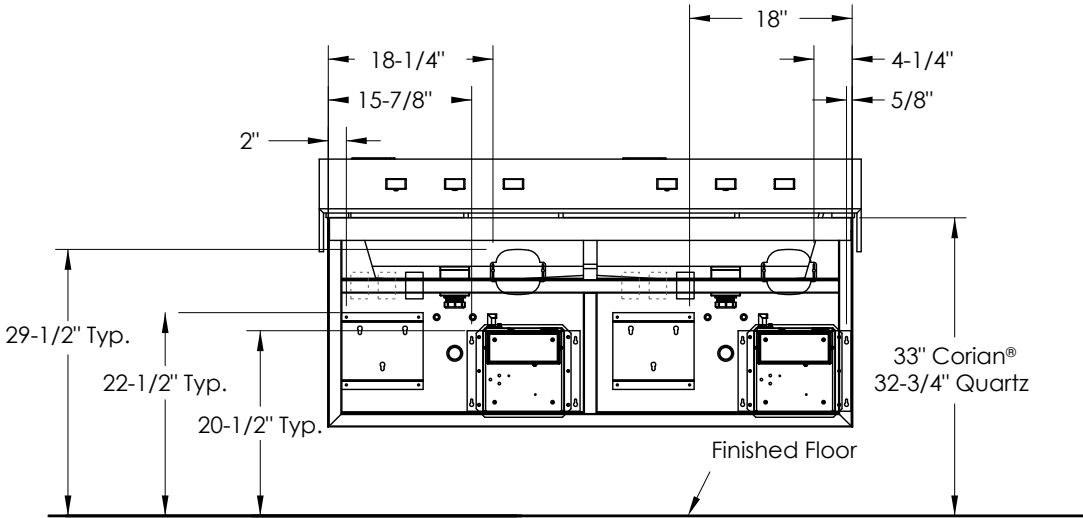
Rough In; Plan View

Figure 3

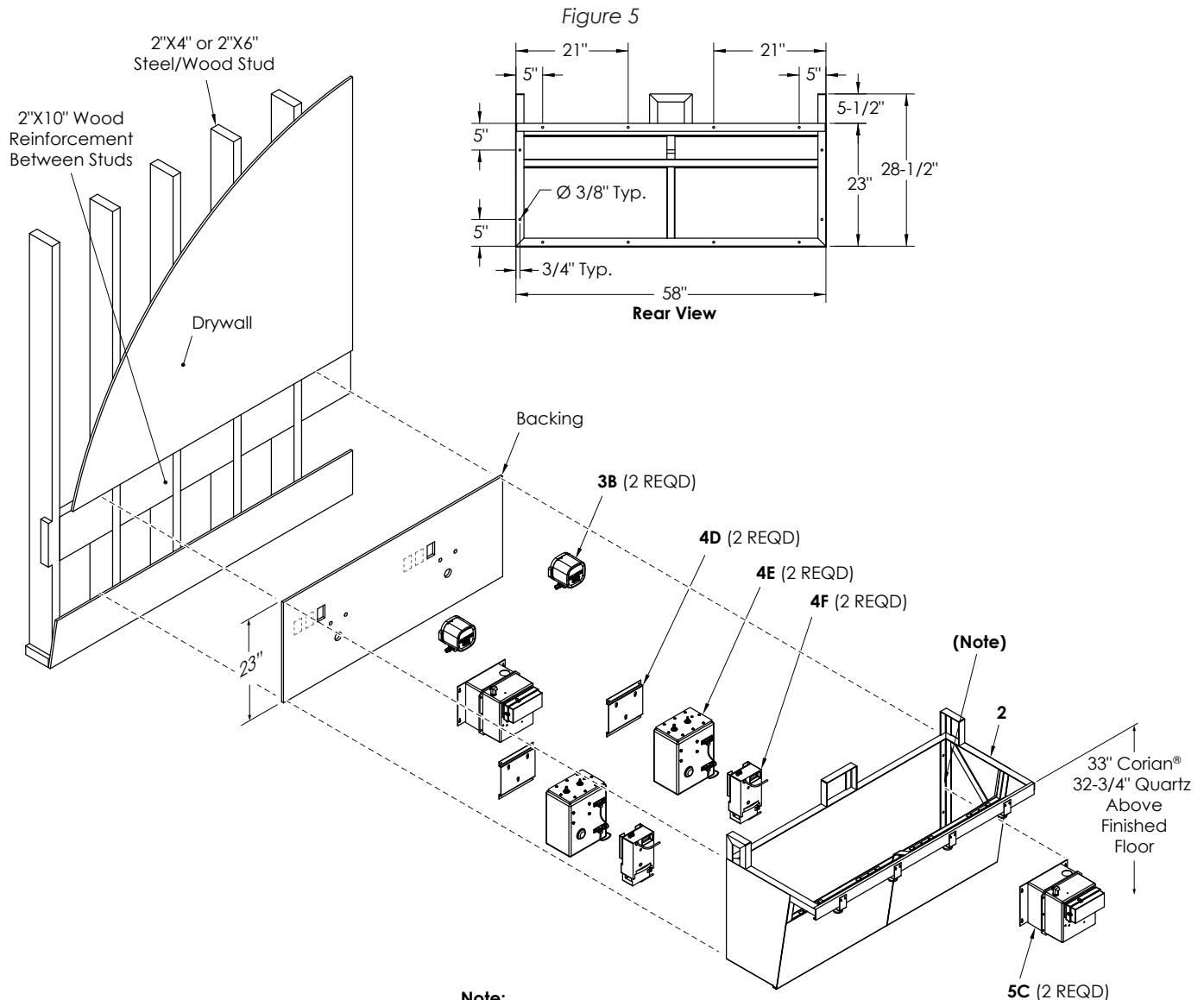


Rough In; Component Location

Figure 4



Backing and Bracket Installation



Note:
 The Hand Dryer Motor must be mounted to the rear angle iron of the enclosure.
 Mounting holes to be drilled in the field.
 Do not install lower enclosure mounting bolt if there is interference with the hand dryer.

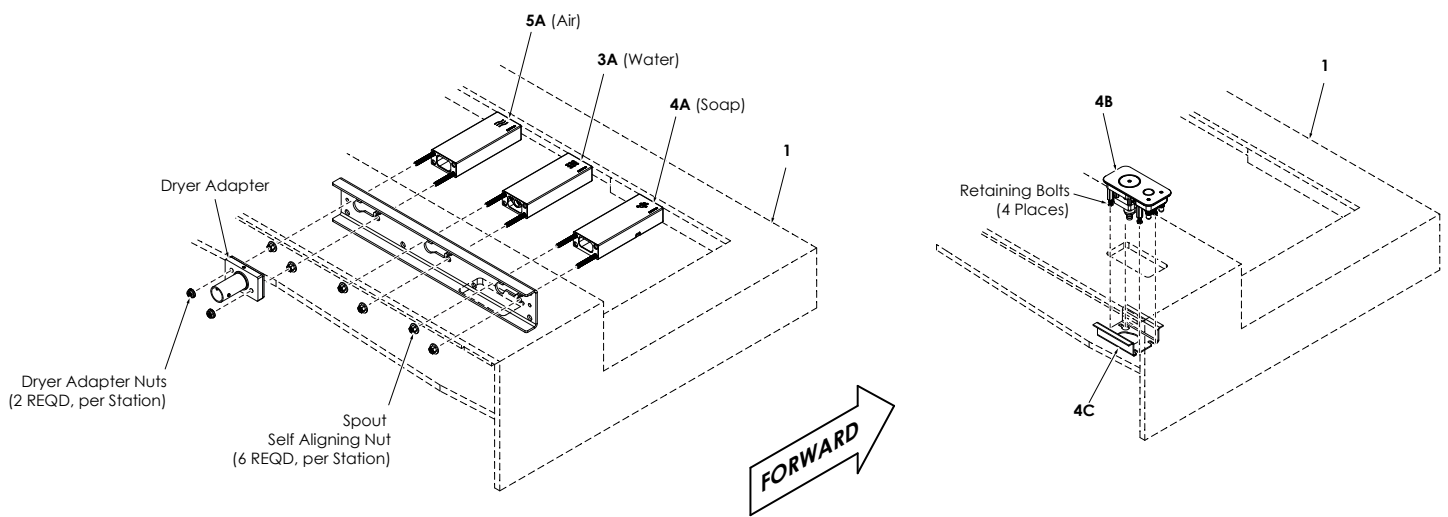
Notes:

- Due to manufacturer tolerances, all dimensions are for reference only.
- Enclosure must be shimmed to wall to make sure proper leveling and straightness.
- Wood 2"X10" may need to be notched to allow clearance for electrical box and plumbing. DO NOT cut wall support studs.

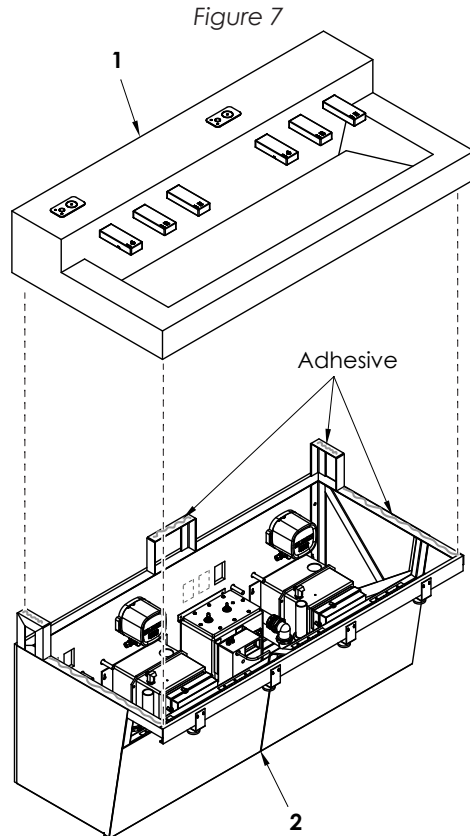
1. Install Backing (Figure 5) onto wall studs.
Note: Backing supplied by others to meet local codes.
 - a. If drywall is present, refer to rough-in, (Figure 5), measure outer dimensions of Enclosure (2) and cut out drywall window.
 - b. Remove drywall window.
 - c. Pre-drill/cut holes for plumbing and electrical.
 - d. Install backing into cutout drywall window.
2. Install Faucet Control Module (3B), Soap Reservoir Bracket (4D), Soap Reservoir (4E) and Soap Pump (4F) and Hand Dryer Motor (5B) to specified locations. Refer to rough-in (Figure 4 on page 4).
3. Refer to the template in (Figure 5), mount the Enclosure (2) to the backing. Ensure that Enclosure (2) is level and the proper distance from the floor.
Note: Anchor enclosure to wall using 1,000 lb pull out mounting fasteners for 3/8" holes (not supplied).
 - a. Using mounting fasteners secure Enclosure (2) onto backing, making sure that the top of Enclosure (2) are the correct height above the finished floor. (ADA specifications)

Spout and Soap Fill Port Installation

Figure 6



4. Install Faucet, Soap and Dryer Spouts (3A, 4A and 5A, Figure 6) onto Deck (1).
 - a. Position Faucet, Soap and Dryer Spouts (3A, 4A and 5A) onto spout retainer rivet protruding from the front face of Deck (1) and press firmly. Be careful to not break the post.
 - b. From the rear side of Deck (1), secure the Faucet, Soap and Dryer Spouts (3A, 4A and 5A) using self aligning nuts (provided with component).
5. Install dryer adapter onto the rear side of the dryer spout.
 - a. Position the dryer adapter to the rear posts of the dryer spout as shown.
 - b. Secure the dryer adapter to the dryer spout with the dryer adapter nuts.
6. Install the Soap Fill Port (4B, Figure 6) on to Deck (1).
 - a. Loosen the four retaining bolts on the Soap Fill Port (4B). Do not remove the bolts.
 - b. Position the Soap Fill Port (4B) over the cutout in the top of Deck (1) and gently press into place.
 - c. From the underside of Deck (1), align the key slots in the Fill Port Mounting Bracket (4C) with the four retaining bolts and slot into place.
 - d. Tighten the four retaining bolts to secure the Fill Port Mounting Bracket (4C) to Deck (1) and the Soap Fill Port (4B).



7. Install Deck (1, Figure 7) onto Enclosure (2).

Note: Recommend dry fit prior to adding adhesive to make sure that the sink is level and plumb.

- a. Apply adhesive (not supplied) to the top of Enclosure (2).
- b. With the help of others, use caution and lower Deck (1) onto Enclosure (2). Shim all gaps between Enclosure (2) and Deck (1).