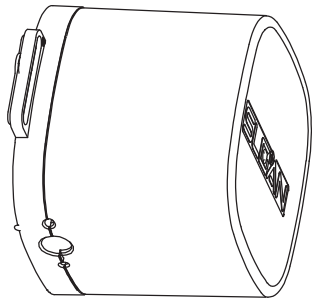
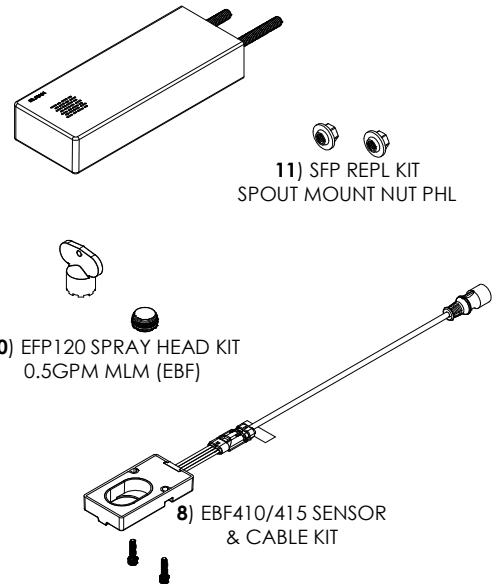
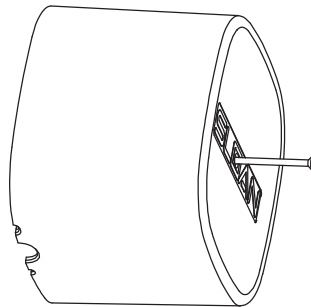


PARTS LIST

Item #	Code #	Description
1	0362006	SFP6 PLUG-IN ADAPTER 110 VAC/6 VDC
2	0367010	EFP10A CONTROL BOX COVER W/SCREW
3	0367025	EFP25 BRAIDED FLEXIBLE HOSE 24"
4	0367028	EFP28A DUAL INLET FILTER ASSEMBLY
5	0367039	EFP39A CONTROL MODULE W/O TURBINE
6	0367101	EFP101A REPLACEMENT FILTER PACK (5)
7	0367103	EFP103A SOLENOID CADDY REPAIR KIT
8	3315431	EBF410/415 SENSOR & CABLE KIT
9	3324113	EFX8A BATTERY CASE KIT (CAPACITANCE)
10	33620001	EFP120 SPRAY HEAD KIT 0.5GPM MLM (EBF)
11	33620024	SFP REPL KIT, SPOUT MOUNT NUT PHL



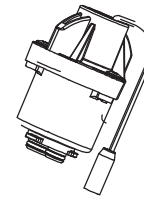
5) EFP39A



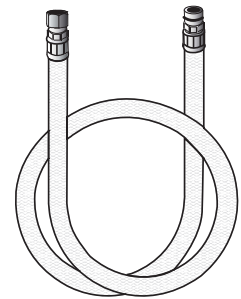
2) EFP10A



9) EFX8A



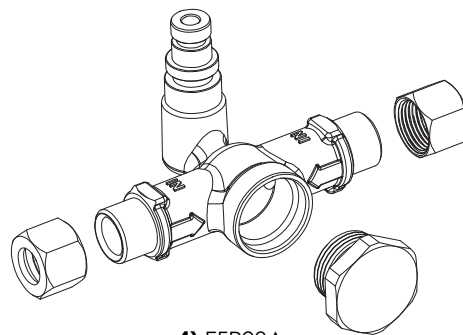
7) EFP103A



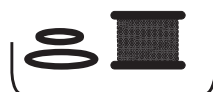
3) EFP25



1) SFP6



4) EFP28A



6) EFP101A

**If further assistance is required, please contact Sloan Tech Support at
1-888-SLOAN-14 (1-888-756-2614)**