

INSTALLATION INSTRUCTIONS FOR THE FLITE-DEC FAUCET WITH OPTIMA CONTROL BOX

INTEGRATED WALL MOUNTED FLITE-DEC FAUCET



ETF-1100 Hardwired
EBF-1150 Battery

CONTROL BOX FOR ALL FAUCETS



Control Box w/o Turbine
EFP-39-A

TABLE OF CONTENTS

PRIOR TO INSTALL	2
QUICK CONNECT BAK-CHEK® FILTER TEE USAGE	2
IMPORTANT	2
TOOLS REQUIRED FOR INSTALLATION	2
MANIFOLD INSTALLATION	2
BELOW DECK CONFIGURATION	4
BELOW DECK CONTROL ROUGH-IN DIMENSIONS	7
QUICK CONNECT HOSE/SENSOR CABLE LENGTHS	7
FLITE-DEC FAUCET DIMENSIONS	8
TROUBLESHOOTING INSTRUCTIONS	8
CARE AND CLEANING INSTRUCTIONS	9
PARTS LIST	10

Sloan® Limited Warranty Summary

Sloan Valve Company ("Sloan"), warrants its products against defects in materials and workmanship, excluding damage caused by matters beyond Sloan's reasonable control. Instructions for filing claims can be found in the Limited Warranty which can be obtained at www.sloan.com or by requesting a free copy by telephone at 888.756.2614. Sloan will repair or replace your defective product, or provide a refund, as your exclusive remedy. This is only a general summary of Sloan's Limited Warranty so it is important to note that the specific terms, conditions, limitations and exclusions, including the duration of warranty coverage for your particular Sloan product, are contained in the actual Sloan Limited Warranty. The Limited Warranty is subject to applicable laws in your country, state, province or other jurisdiction—and disputes arising under the Limited Warranty are to be resolved by binding arbitration unless you provide Sloan with an opt-out notice no later than 30 days after your purchase date. In case of a conflict with this summary, the terms and conditions set forth in the complete Limited Warranty will prevail.

PRIOR TO INSTALL

Prior to installing the Sloan FLITE-DEC Faucet, install the items listed below. Also, refer to component dimensions on page 8.

- Lavatory/sink
- Drain line
- Hot and cold water supply lines or pre-tempered water supply line

Recommend flushing the supply lines into a white, 5 Gal bucket prior to connecting the faucet, faucet spray head, and control module.

QUICK CONNECT BAK-CHEK[®] FILTER TEE USAGE

A QUICK CONNECT BAK-CHEK[®] FILTER TEE MUST BE USED WITH EACH INSTALLATION.

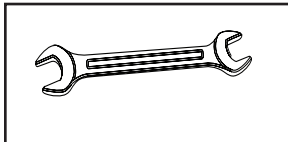
When connecting a Sloan Optima Faucet to both hot and cold water supplies, a two inlet Quick Connect Bak-Chek[®] Filter Tee is provided and required as illustrated. When connecting the faucet to a single line water supply or a pre-tempered water supply, a single inlet Quick Connect Bak-Chek[®] Filter must be used.

IMPORTANT

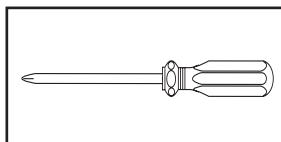
- ALL PLUMBING SHOULD BE INSTALLED IN ACCORDANCE WITH APPLICABLE CODES AND REGULATIONS.
- DO NOT USE ANY PIPE SEALANT OR TAPE ON ANY FAUCET CONNECTIONS OR THREADED FITTING CONNECTING WITH GASKETS, O-RINGS, OR FERRULE COMPRESSION CONNECTIONS. KEEP THREAD SEALANT OUT OF YOUR WATERWAY TO PREVENT COMPONENT PART DAMAGE! DO NOT USE ANY SEALANT ON COMPRESSION FITTINGS.

TOOLS REQUIRED FOR INSTALLATION

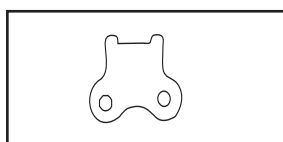
Gather the required tools and parts before starting installation. Additional parts and tools may be required, depending on your installation. Check local codes. Check existing electrical supply.



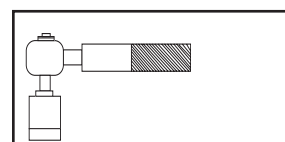
1. Open end wrenches for hex sizes: 7/16"



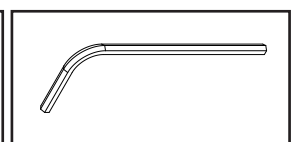
2. Phillips head screwdriver, #2



3. Spray head key (supplied with some models)

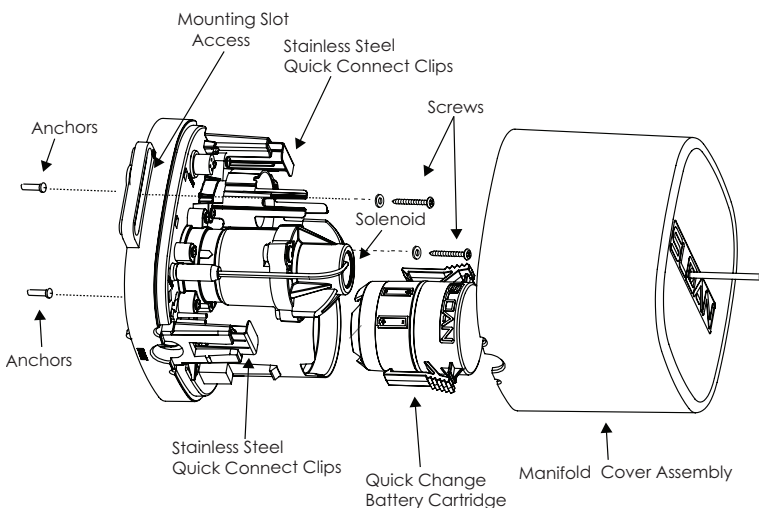


4. 7/16" Socket



5. 7/64" Allen Wrench

MANIFOLD INSTALLATION



- Ensure there is enough clearance for the flexible supply hose from the spout to connect to the control module
- Secure control module to wall using the included mounting accessories. The control module must be mounted on a level vertical surface with the Sloan logo on the manifold facing outwards on the top right side of the manifold. Do not mount the manifold in any other position.
- Insert the flexible supply hose from the bottom of the spout into the top of the mounted manifold. Insert the Filter "T" fitting into the bottom of the mounted manifold. Ensure that the stainless steel clips on both the top and bottom of the manifold are secured.

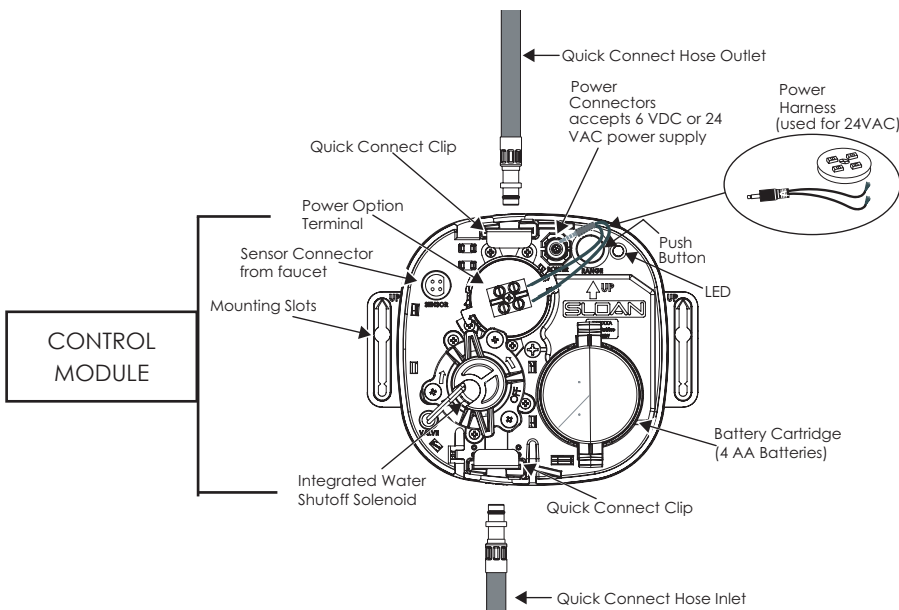
NOTE:
NEVER OPEN STAINLESS STEEL CLIPS WHEN WATER SUPPLY IS TURNED ON.

MANIFOLD INSTALLATION - CONTINUED

NOTE:

Recommend using long compression hose(s), flushing faucet supply into a white 5-gallon bucket helps to determine plumbing system is free of plumbing debris prior to connecting mixing valves and faucet.”

- D. Connect water supply lines from the stops to the Filter “T” fitting.
- E. Attach sensor cable and solenoid cable to the appropriate connections on the manifold.
- F. Insert the battery assembly.
- G. This unit can use 4 (AA) batteries alone, or accept 6 VDC or 24 VAC power to function as a hardwired unit with battery back up. (Hardwire transformer SFP-6 not included with EBF-1150)
- H. If a 6 VDC plug-in transformer is used, plug it into the appropriate connection on the manifold to convert the faucet into a “plug-in with battery back-up”. (Hardwire transformer SFP-6 not included with EBF-1150)
- I. If 24 VAC hardwires are being used, use the supplied power harness adapter to connect the wires to the appropriate connection on the manifold.
- J. If ganging multiple units in a “daisy chain” configuration to a single power supply use the SFP-35-A gang adapter kit. Maximum of 6 chained units.
- K. Inspect and tighten all connections. Place the manifold cover onto the unit.
- L. Turn on water.

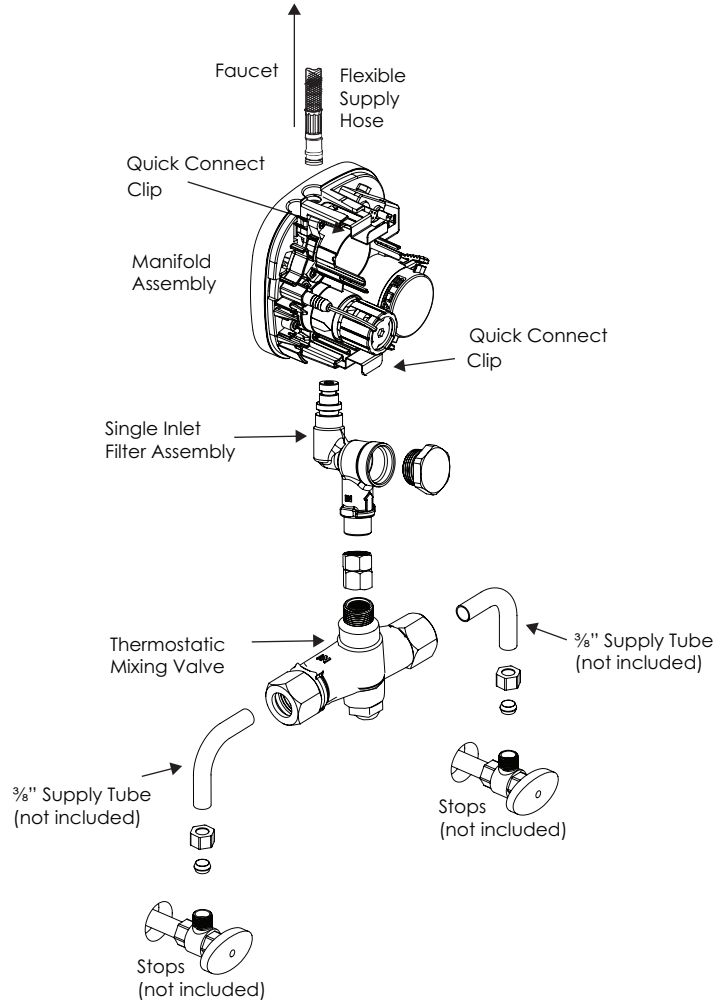


Transformers
SFP-6 / 110V/6VDC

SFP-6 NOT INCLUDED WITH EBF-1150

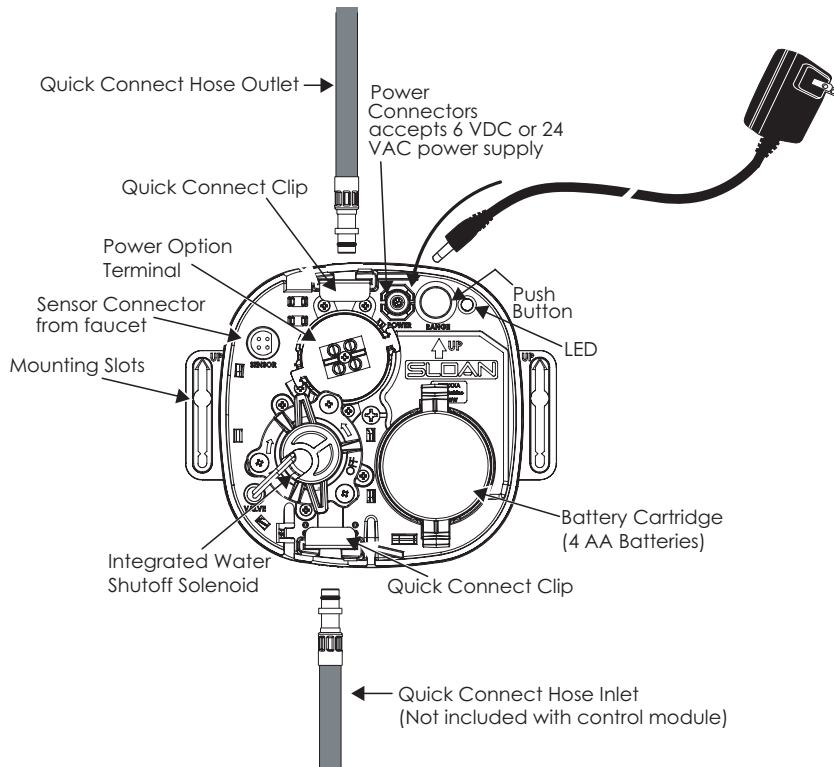
FOR OTHER CONFIGURATIONS USING FILTER ASSEMBLY-SEE BELOW

BEHIND DECK CONFIGURATION



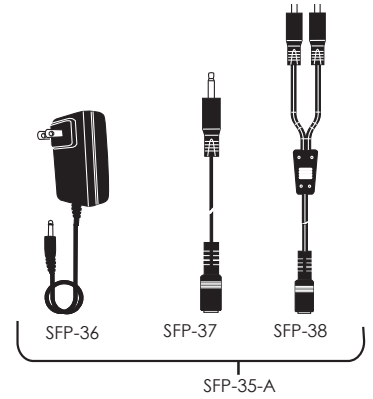
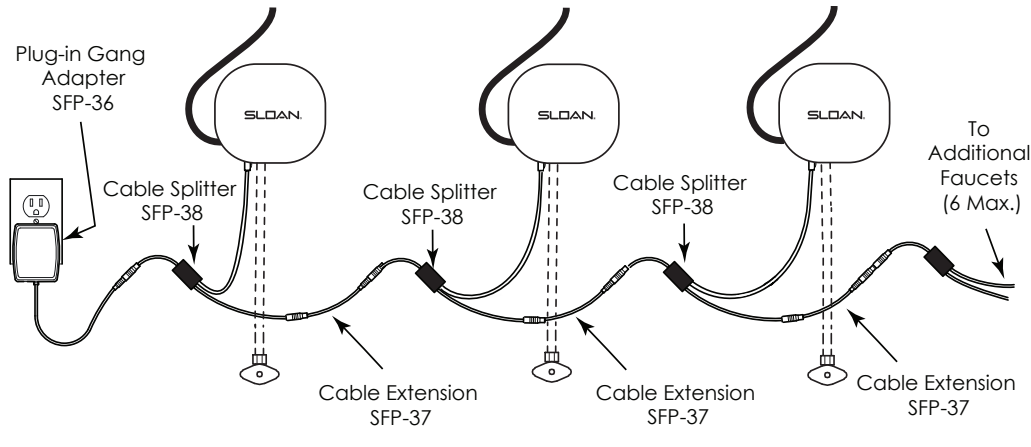
Control Module with Single Inlet Tee Filter Assembly and Below Deck Thermostatic Mixing Valve (BDT)

ELECTRICAL CONNECTIONS



SFP-6
120 VAC/6 VDC
ADAPTER CONNECTION
(NOT INCLUDED WITH EBF-1150)

SFP-6 120 VAC/6 VDC ADAPTER CONNECTION

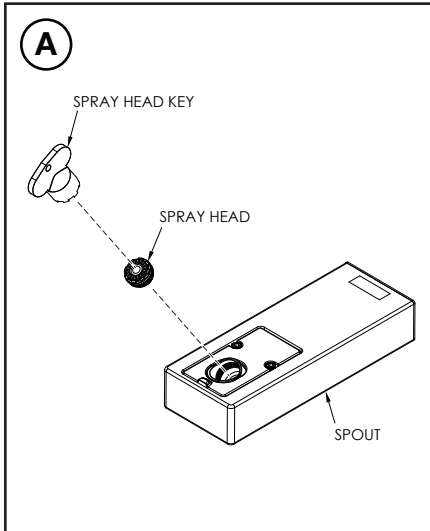


To connect multiple faucets to a single adapter, use the Sloan SFP-35-A Gang Adapter Kit (Purchase Separately).

The SFP-35-A Gang Adapter Kit is supplied with cables to connect up to 6 faucets. To connect up to 8 faucets, purchase 2 additional SFP-38 Cable Splitters separately. Connect the Adapter and Cables to the Sensor Faucets as shown above.

For complete installation, refer to instructions packaged with Gang Adapter Kit. SFP-35-A Gang Adapter Kit is available in 120 VAC only.

INTEGRATED WALL MOUNTED INSTALLATION INSTRUCTIONS



NOTE:

Thoroughly flush the supply lines at the stops prior to connecting the faucet; plumbing debris can foul mixing valve, faucet module's inlet filter, solenoid, and spray head.

A

Prior to installing the spout, install the Spray Head (included) to the Spout using the Plastic Key provided. Be sure to not cross thread.

B

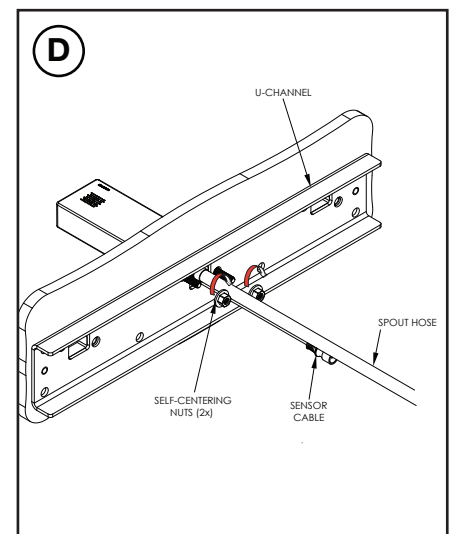
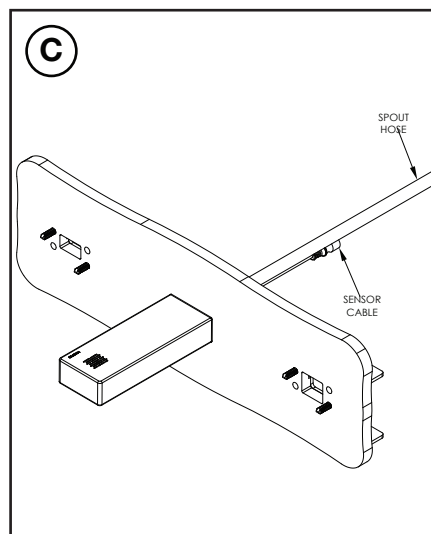
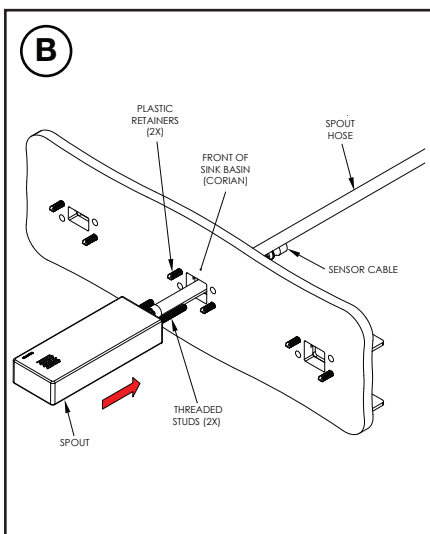
From lavatory/sink side, guide Tubing, and Sensor Cable through the rectangular hole in the rear, basin wall. Guide the spout's Threaded Studs through holes in the rear, basin wall.

C


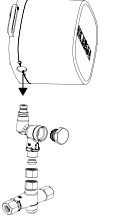
Plastic retainers should fit into holes in the spout. Press Spout until it seats flat against the Corian.

D

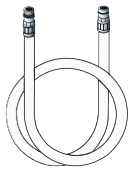

From the chase side, attach the Self-Centering Nuts (Qty. 2) to the Threaded Studs. **DO NOT** over-tighten nuts. Over-tightening may cause damage to the threads or surrounding parts.



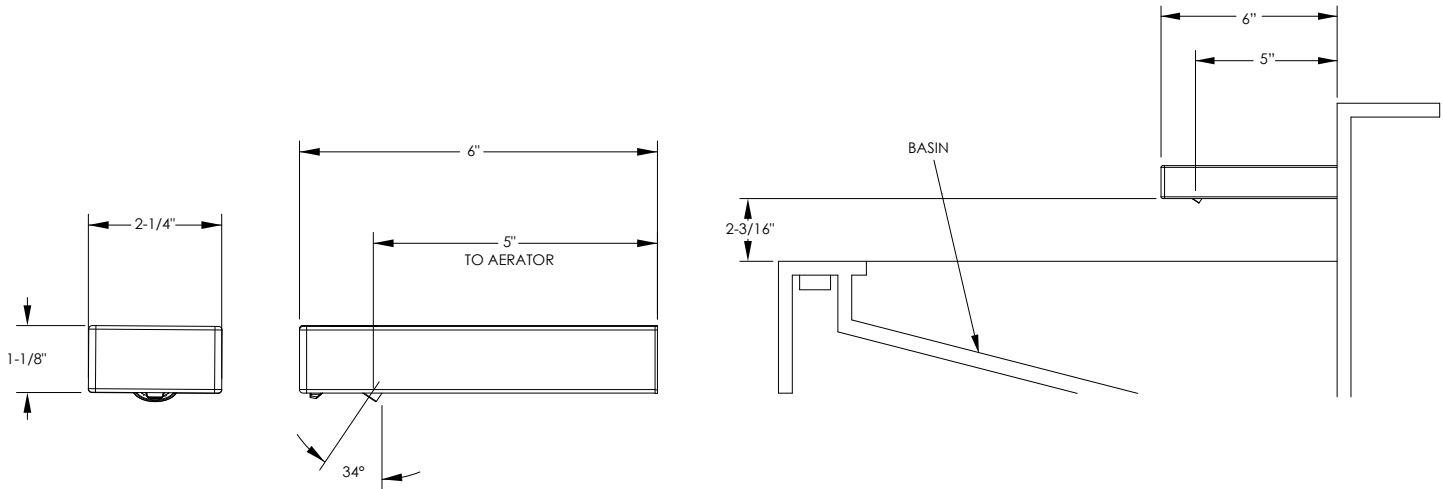
BELOW DECK CONTROL ROUGH-IN DIMENSIONS

OPTIMA CONTROL BOX	MODEL IMAGE	HEIGHT	WIDTH	DEPTH
OPTIMA CONTROL BOX		5" (127 mm)	6" (163 mm)	4 1/2" (115 mm)
OPTIMA CONTROL BOX WITH SINGLE INLET FILTER TEE AND BDT (MIX35)		10 3/4" (274 mm)	6" (153 mm)	4 1/2" (115 mm)

QUICK CONNECT HOSE/SENSOR CABLE LENGTHS

	QUICK CONNECT SPOUT HOSE LENGTH	SENSOR CABLE LENGTH
		
WALL MOUNTED MODELS	36" (914 mm)	36" (914 mm)

FLITE-DEC FAUCET DIMENSIONS



TROUBLESHOOTING INSTRUCTIONS

Sensor is activated but faucet DOES NOT deliver water.

- A. Faucet has initiated its adaptive sensing calibration program.
Wait 60 seconds before activating faucet.
- B. Solenoid Cable not connected.
Check solenoid cable connection. Confirm connection guide markings are aligned.

Sensor Range Requires Manual Adjustment.

Sensor Range is measured in units from 1 to 5, with 1 being closest to the faucet and 5 being farthest from the faucet. The factory default Sensor Range is 3.

- A. To determine what the current Sensor Range setting is, press the red "Sensor" button on the upper right hand corner of the Optima Control Box for 1 second. Five seconds after pressing the button, the green LED beside it will blink to indicate the Sensor Range setting. For example, if it is set at 2, the green LED will blink 2 times.
- B. To adjust the Sensor Range, press and hold the red "Sensor" button for three seconds and release once the green LED comes on to indicate that you are in Sensor Range adjustment mode. Then press the "Sensor" button one second at a time for however many times you wish to increase the range. For example, if the Sensor Range is set at 2 and you wish to increase it to 4, press the "Sensor" button two times for one second each time.
- C. If you wish to decrease the Sensor Range, follow the same procedure to enter into Sensor Range adjustment mode, and then press the "Sensor" button one second at a time. The button is designed to go up to 5 units and then back down to 1 unit. For example, if the Sensor Range is set at 4 and you wish to decrease it to 2, press the "Sensor" button three times for one second each time.
- D. To confirm your changes, wait 5 seconds and then press the red "Sensor" button on the upper right hand corner of the Optima Control Box for 1 second. Five seconds after pressing the button, the green LED beside it will blink to indicate the Sensor Range setting. For example, if it is now set at 2, the green LED will blink 2 times.

Solenoid produces an audible "CLICK" when an object is placed in the detection zone of the sensor but NO water flows.

- A. Water supply to faucet is not open.
Open supply stop(s).
- B. Inlet fitting filter is clogged.
Remove, clean, and reinsert. Replace with EFP101A solenoid filter kit if necessary.
- C. Aerator or spray head is clogged.
Remove, clean, and reinsert.

Solenoid valve DOES NOT produce an audible "CLICK" and NO water flows. Green LED illuminates when batteries installed.

- A. Solenoid valve module is not working properly.
Replace EFP103A solenoid valve module.

TROUBLESHOOTING INSTRUCTIONS (cont)

Faucet delivers only a slow flow or dribble when sensor is activated.

- A. Water supply valve is partially closed.
Open the supply stop(s) completely.
- B. Inlet fitting filter is clogged.
Remove, clean, and reinsert. Replace with EFP101A solenoid filter kit if necessary
- C. Aerator or spray head is clogged.
Remove, clean, and reinsert.

Faucet DOES NOT stop delivering water or continues to drip after user is no longer detected (automatic shut-off fails even when batteries are removed).

- A. Solenoid valve seat is dirty.
Remove, clean, and reinsert solenoid filter. Activate faucet several times to flush out dirt.
- B. Sensor range is set too long and is detecting the sink or some other object.
Reduce sensor detection range.
- C. Solenoid valve module is not working properly.
Replace EFP103A solenoid valve module.

The water temperature is too hot or too cold on a faucet connected to hot and cold supply lines with inlet filter fitting.

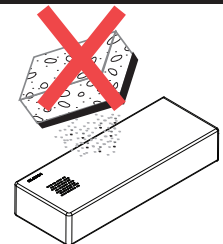
- A. Supply stops are not adjusted properly.
If using Double-inlet filter tee, adjust stops for water mixture.

If using a on-demand water heater, make sure minimum flow rate is being achieved to activate heater.

NOTE: For some systems, a thermostatic mixing valve may be required

CARE AND CLEANING INSTRUCTIONS

DO NOT USE abrasive or chemical cleaners (including chlorine bleach) to clean faucet that may dull the luster and attack the chrome or special decorative finishes. Use ONLY mild soap and water, then wipe dry with clean cloth or towel. While cleaning the bathroom tile, walls, lights, mirror, counter, sink and basin to protect the faucet from any splattering of cleaner. Acids and cleaning fluids will discolor or remove chrome plating.



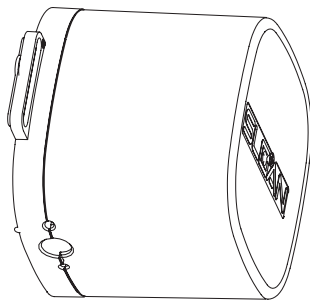
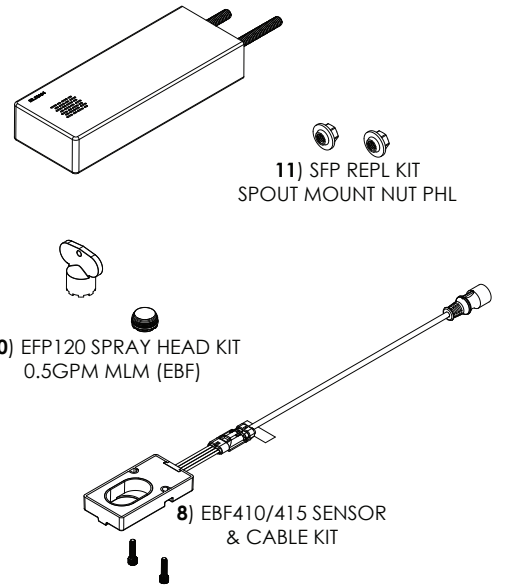
FCC INFORMATION TO USERS

This equipment has been tested and found to comply with the limits for a class B digital devices, pursuant to Part 15 of the FCC Rules. These limits are designed to provide reasonable protection against harmful interference in a residential installation. This equipment generates, uses, and can radiate radio frequency energy and, if not installed and used in accordance with the instruction manual, may cause harmful interference to radio or television reception, which can be determined by turning the equipment off and on, the user is encouraged to try to correct the interference by one or more of the following measures:

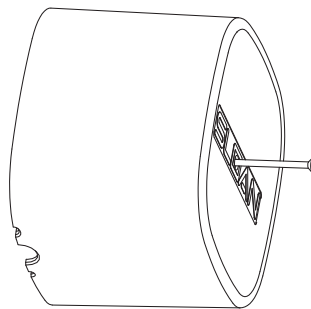
- Reorient or relocate the receiving antenna
- Increase the separation between the equipment and receiver
- Connect the equipment into an outlet on a circuit different from that to which the receiver is connected
- Consult the dealer or an experienced radio/TV technician for help

PARTS LIST

Item #	Code #	Description
1	0362006	SFP6 PLUG-IN ADAPTER 110 VAC/6 VDC
2	0367010	EFP10A CONTROL BOX COVER W/SCREW
3	0367025	EFP25 BRAIDED FLEXIBLE HOSE 24"
4	0367028	EFP28A DUAL INLET FILTER ASSEMBLY
5	0367039	EFP39A CONTROL MODULE W/O TURBINE
6	0367101	EFP101A REPLACEMENT FILTER PACK (5)
7	0367103	EFP103A SOLENOID CADDY REPAIR KIT
8	3315431	EBF410/415 SENSOR & CABLE KIT
9	3324113	EFX8A BATTERY CASE KIT (CAPACITANCE)
10	33620001	EFP120 SPRAY HEAD KIT 0.5GPM MLM (EBF)
11	33620024	SFP REPL KIT, SPOUT MOUNT NUT PHL



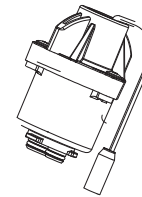
5) EFP39A



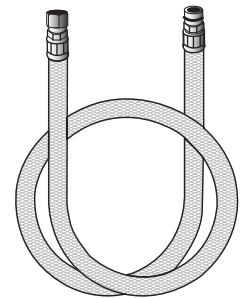
2) EFP10A



9) EFX8A



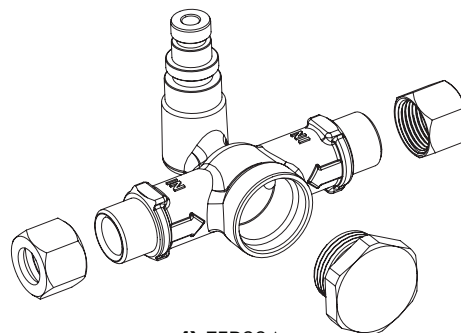
7) EFP103A



3) EFP25



1) SFP6



4) EFP28A



6) EFP101A

**If further assistance is required, please contact Sloan Tech Support at
1-888-SLOAN-14 (1-888-756-2614)**