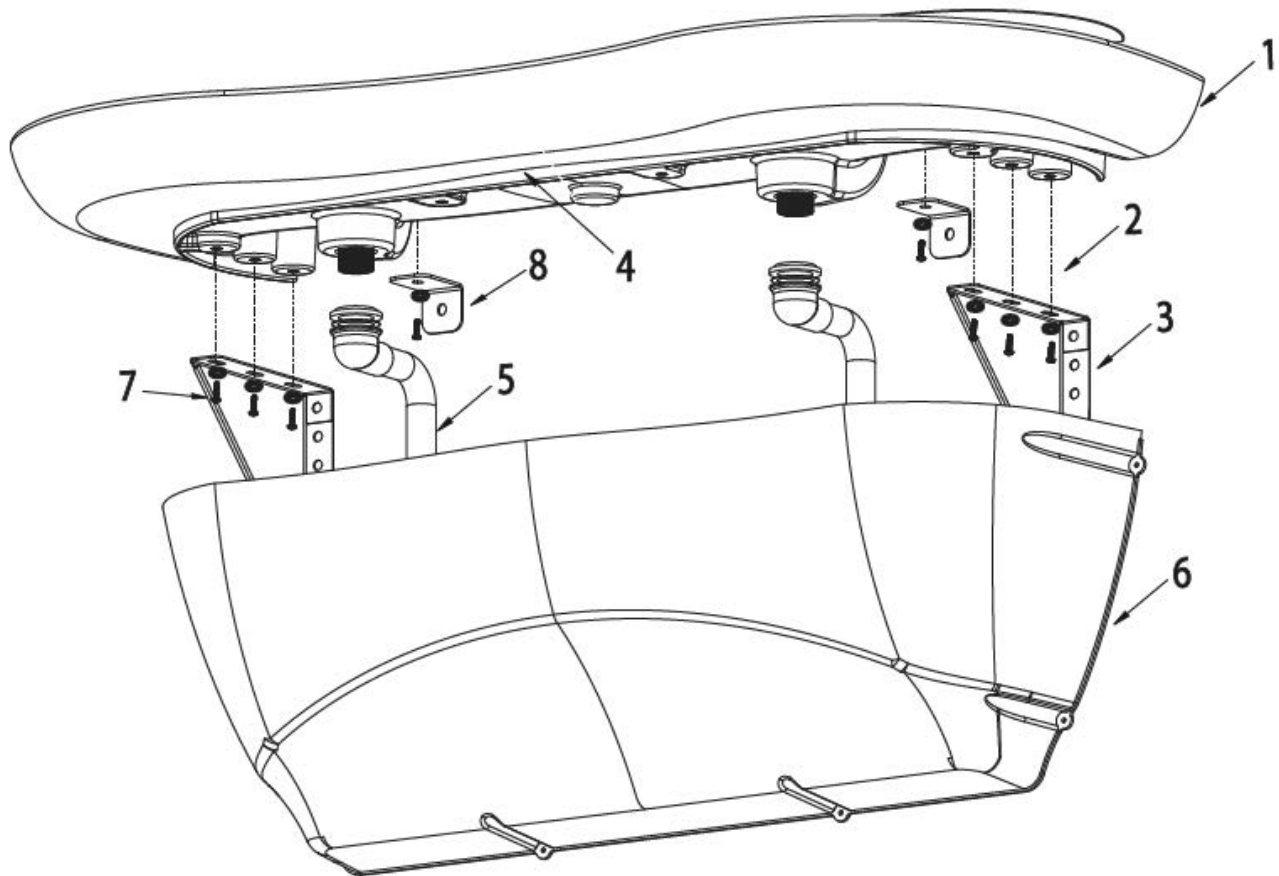


SloanStone® ELS-62000 Sink Cabinet and Basin Assemblies



Item No.	Part No.	Description
1.	SEE TABLE	Double Station Lavatory Basin Assembly
2.	ELC-41	Screw, Machine Truss Head 1/4-20 (8)
3.	EW-122	Mounting Bracket (2)

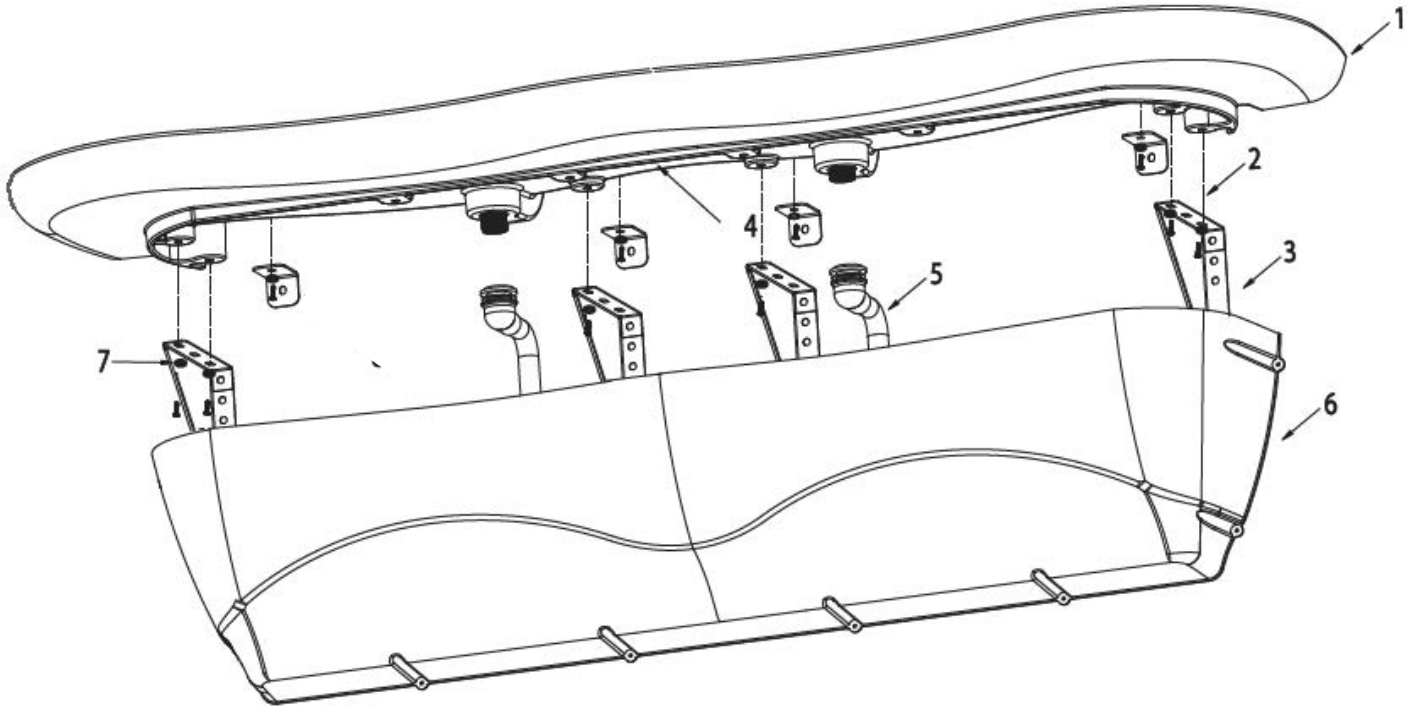
Item No.	Part No.	Description
4.	EW-127	Velco Strip (Hook)
5.	ETF-725-A	Grid Strainer Assembly (2)
6.	EW-105	Plastic Cabinet for Double Station Lavatory
7.	EW-157	Washers (8)
	EW-98	Light Duty Buffing Pad (Not Shown)
	EW-108	General Duty Buffing Pad (Not Shown)

ITEM NO. 1 – Double Station Lavatory Basin Hole Patterns

Hole Pattern	–	A	B	C	D
Part No.	ELS-9-A-XXX	ELS-9-A-XXX-A	ELS-9-A-XXX-B	ELS-9-A-XXX-C	ELS-9-A-XXX-D
Basin Hole Pattern					

SloanStone® ELS-63000 Sink

Cabinet and Basin Assemblies



Item No.	Part No.	Description
1.	SEE TABLE	Triple Station Lavatory Basin
2.	ELC-41	Screw, Machine Truss Head 1/4-20 (10)
3.	EW-122	Mounting Bracket (4)
4.	EW-127	Velcro Strip (Hook)

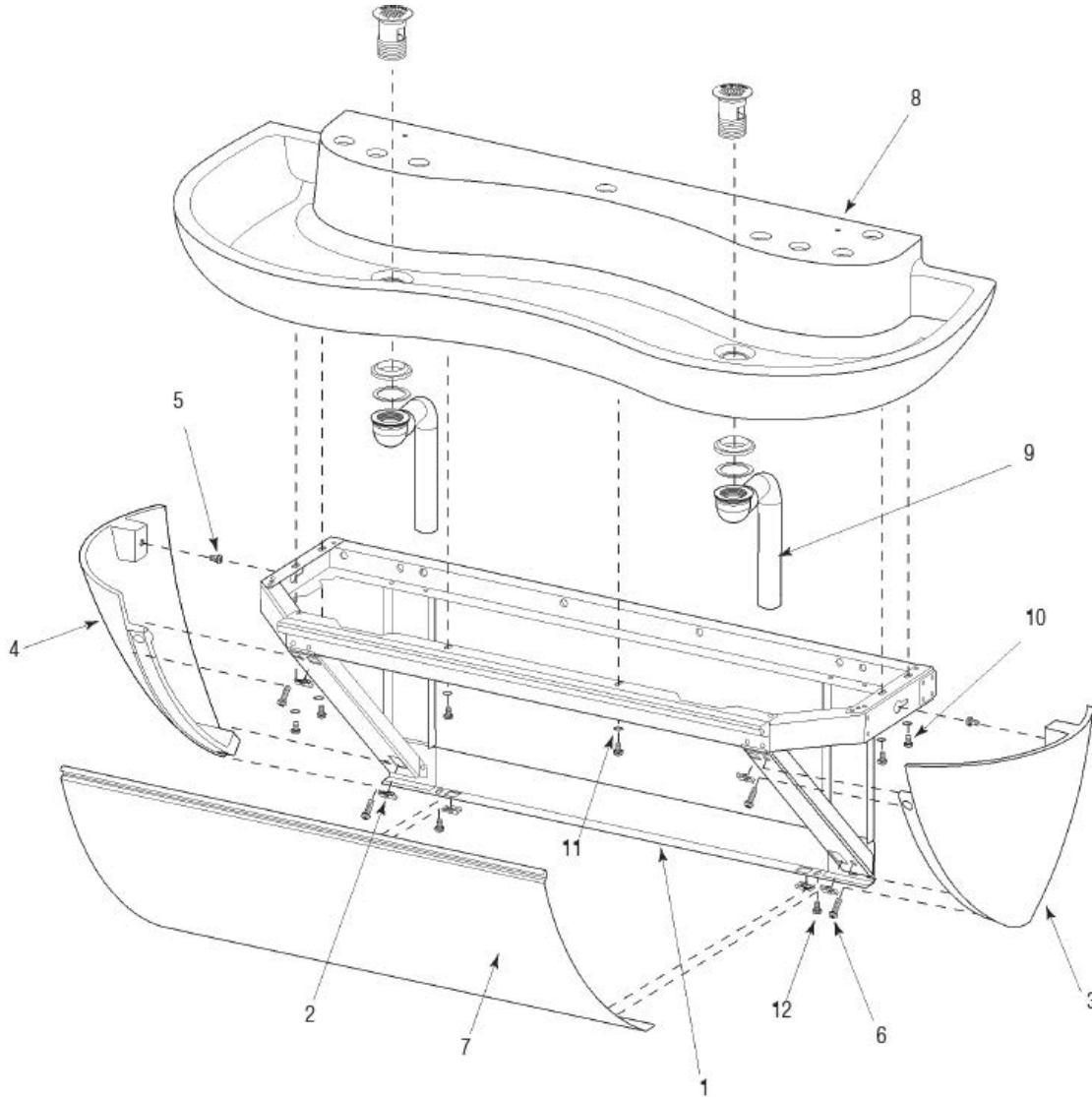
Item No.	Part No.	Description
5.	ETF-725	Grid Strainer Assembly (2)
6.	EW-123	Plastic Cabinet for Triple Station Lavatory
7.	EW-157	Washers (10)
—	EW-98	Light Duty Buffing Pad (Not Shown)
—	EW-108	General Duty Buffing Pad (Not Shown)

ITEM NO. 1 – Triple Station Lavatory Basin Hole Patterns

Hole Pattern	—	A	B	C	D
Part No.	ELS-11-A-XXX	ELS-11-A-XXX-A	ELS-11-A-XXX-B	ELS-11-A-XXX-C	ELS-11-A-XXX-D
Basin Hole Pattern					

SloanStone® ELS-72000 Sink

Cabinet and Basin Assemblies



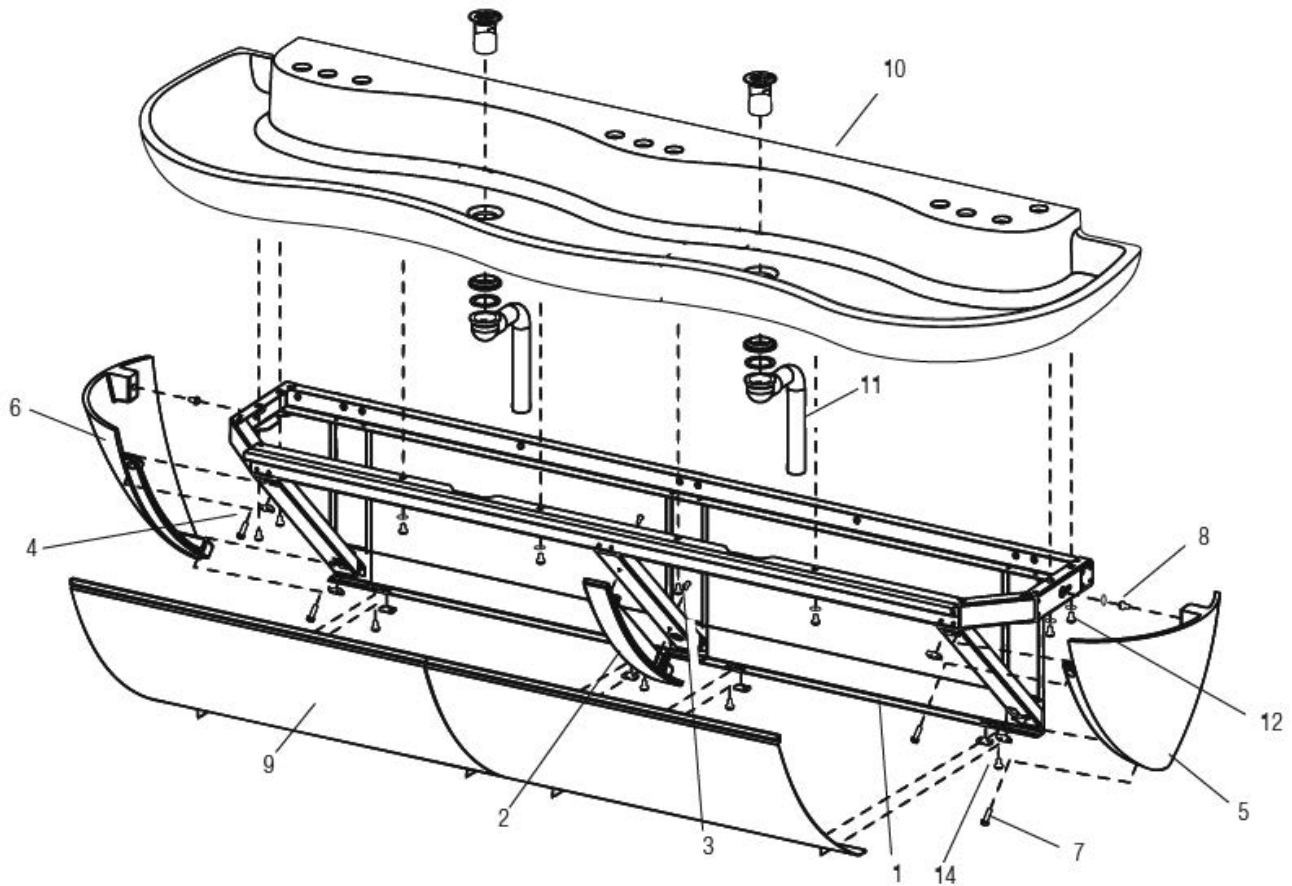
Item No.	Part No.	Description
1.	EW-20-A	Cabinet Weldment, 2 Station
2.	EW-99	U-Type Nut Standard 1/4-20 Thread (6)
3.	EW-60	End Cap Right-Machined
4.	EW-52	End Cap Left-Machined
5.	EW-15	Screw Pan Head 1/4-20 x 1/2" Long (SEMS) (2)
6.	EW-16	Screw Pan Head 1/4-20 x 1" Long (SEMS) (4)
7.	EW-25	Front Panel, 2 Station

Item No.	Part No.	Description
8.	SEE TABLE	Double Station lavatory Basin Assembly
9.	ETF-725-A	Grid Strainer Assembly (2)
10.	ELC-41	Screw, Truss Head 1/4 - 20 x 1/2" Long (6)
11.	EW-157	Washer (6)
12.	EW-15	Screw, Pan Head 1/4-20x1/2" Long (SEMS)(2)
	EW-98	Light Duty Buffing pad (Not Shown)
	EW-108	General Duty Buffing Pad (Not Shown)

ITEM NO. 8 – Double Station Lavatory Basin Hole Patterns

Hole Pattern	—	A	B	C	D
Part No.	ELS-9-A-XXX	ELS-9-A-XXX-A	ELS-9-A-XXX-B	ELS-9-A-XXX-C	ELS-9-A-XXX-D
Basin Hole Pattern					

SloanStone® ELS-73000 Sink
Cabinet and Basin Assemblies



Item No.	Part No.	Description
1.	EW-149	Cabinet Weldment, 3 Station
2.	EW-50	Front Panel Support-Machined
3.	EW-36	Screw Pan Head #8-32 x 7/16" Long (SEMS) (2)
4.	EW-99	U-Type Nut, Standard 1/4-20 Thread (8)
5.	EW-60	End Cap Right-Machined
6.	EW-52	End Cap Left-Machined
7.	EW-16	Screw Pan Head 1/4-20 x 1" Long (SEMS) (4)
8.	EW-15	Screw Pan Head 1/4-20 x 1/2" Long (SEMS) (2)

Item No.	Part No.	Description
9.	EW-155	Front Panel, 3 Station (2)
10.	SEE TABLE	Triple Station Lavatory Basin Assembly
11.	ETF-725-A	Grid Strainer Assembly (2)
12.	ELC-41	Screw, Truss Head 1/4-20 x 1/2" Long (8)
13.	EW-157	Washer (8)
14.	EW-15	Screw Pan Head 1/4-20 x 1/2" Long (SEMS) (4)
	EW-98	Light Duty Buffing Pad (Not Shown)
	EW-108	General Duty Buffing Pad (Not Shown)

Hole Pattern	—	A	B	C	D
Part No.	ELS-11-A-XXX	ELS-11-A-XXX-A	ELS-11-A-XXX-B	ELS-11-A-XXX-C	ELS-11-A-XXX-D
Basin Hole Pattern					