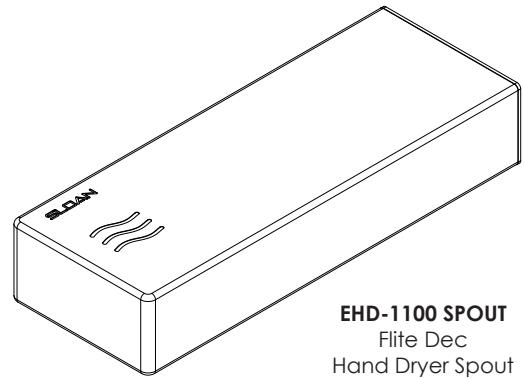


# INSTALLATION INSTRUCTIONS FOR FLITE-DEC, COMPLETE SLOAN HAND DRYER SPOUT



**EHD-1100 SPOUT**  
Flite Dec  
Hand Dryer Spout

## Sloan® Limited Warranty Summary

Sloan Valve Company ("Sloan"), warrants its products against defects in materials and workmanship, excluding damage caused by matters beyond Sloan's reasonable control. Instructions for filing claims can be found in the Limited Warranty which can be obtained at [www.sloan.com](http://www.sloan.com) or by requesting a free copy by telephone at 888.756.2614. Sloan will repair or replace your defective product, or provide a refund, as your exclusive remedy. This is only a general summary of Sloan's Limited Warranty so it is important to note that the specific terms, conditions, limitations and exclusions, including the duration of warranty coverage for your particular Sloan product, are contained in the actual Sloan Limited Warranty. The Limited Warranty is subject to applicable laws in your country, state, province or other jurisdiction—and disputes arising under the Limited Warranty are to be resolved by binding arbitration unless you provide Sloan with an opt-out notice no later than 30 days after your purchase date. In case of a conflict with this summary, the terms and conditions set forth in the complete Limited Warranty will prevail.

## Important



Read this entire installation manual to ensure proper installation. When finished with the installation, file this manual with the owner or maintenance department. Compliance and conformity to local codes and ordinances is the responsibility of the installers.



Separate parts from packaging and make sure all parts are accounted for before discarding any packaging material. If any parts are missing, do not begin installation until all parts are obtained.



Turn off electrical power to the electrical outlets, then unplug units prior to installation. Electrical power **MUST** remain off until installation is complete.



Wear all proper safety equipment prior to installation

## TOOLS REQUIRED FOR INSTALLATION

- Slotted screwdriver
- Nut driver or deep socket set
- 7/16" Open Wrench
- Electric Drill
- 7/16" Socket
- Wire stripper/crimping tool

## PRIOR TO INSTALLATION

Prior to installing the Hand Dryer spout install the items listed below.

### IMPORTANT:

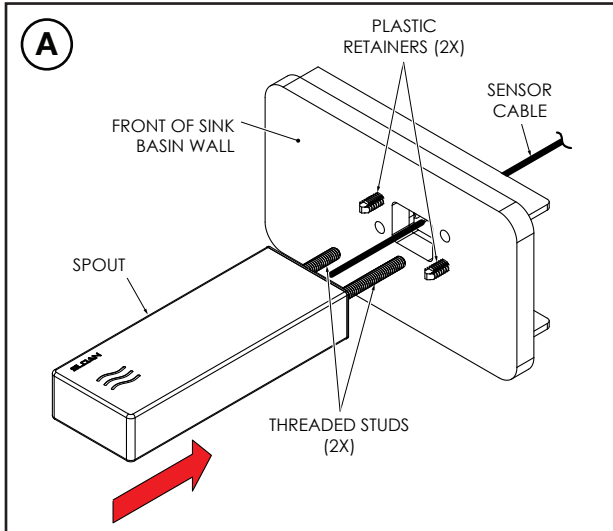
- INSTALL ALL ELECTRICAL WIRING IN ACCORDANCE WITH NATIONAL/LOCAL CODES AND REGULATIONS.
- INSTALL ALL PLUMBING IN ACCORDANCE WITH APPLICABLE CODES AND REGULATIONS.
- 120 OR 220 GFCI OUTLETS MUST BE USED. VERIFY VOLTAGE REQUIREMENT OF MOTOR ASSEMBLY.
- HAND DRYER FEATURES VARIABLE HEAT AND SPEED CONTROLS AND REQUIRES A MAXIMUM OF 1500 WATTS.
- EACH HAND DRYER MOTOR REQUIRES A DEDICATED 20 AMP GFCI CIRCUIT.
- USE APPROPRIATE PRECAUTIONS WHILE CONNECTING THE POWER SOURCE.

### !!! IMPORTANT !!!

**THIS PRODUCT CONTAINS MECHANICAL AND/OR ELECTRICAL COMPONENTS THAT ARE SUBJECT TO NORMAL WEAR. THESE COMPONENTS SHOULD BE CHECKED ON A REGULAR BASIS AND REPLACED AS NEEDED TO MAINTAIN THE SYSTEM PERFORMANCE.**

**If you have questions about how to install your hand dryer, consult your local Sloan Representative or call Sloan Technical Support at:  
1-888-SLOAN-14 (1-888-756-2614)**

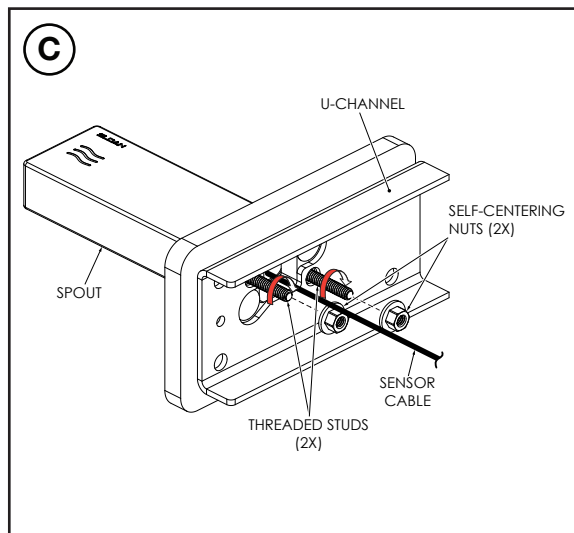
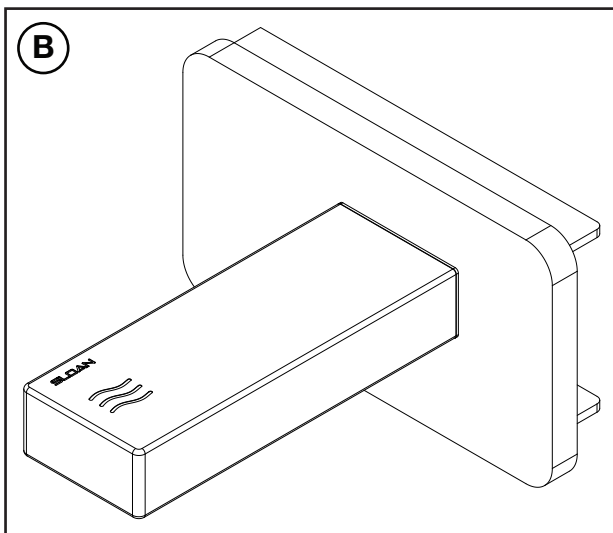
**1 - INSTALL SPOUT**



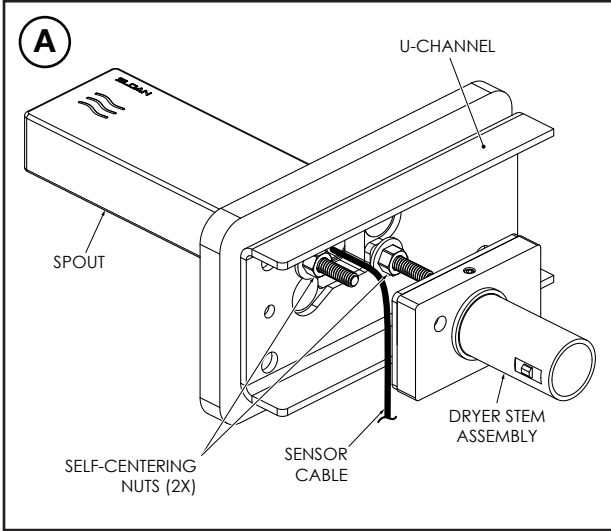
**A** From lavatory/sink side, guide Tubing, and Sensor Cable through the rectangular hole in the rear, basin wall. Guide the spout's Threaded Studs through holes in the rear, basin wall.

**B** Plastic retainers should fit into holes in the spout. Press Spout until it seats flat against the basin wall.

**C** Attach the Self-Centering Nuts (Qty. 2) to the Threaded Studs. **DO NOT** over-tighten nuts. Over-tightening may cause damage to the threads or surrounding parts.



## 2 - CONNECT DRYER STEM ASSEMBLY

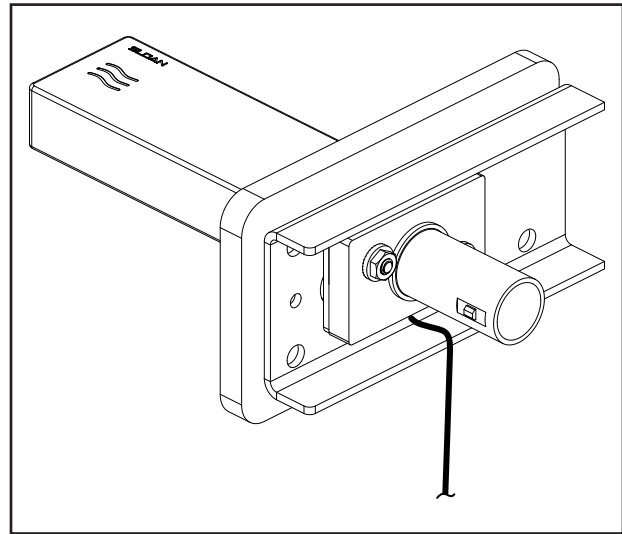
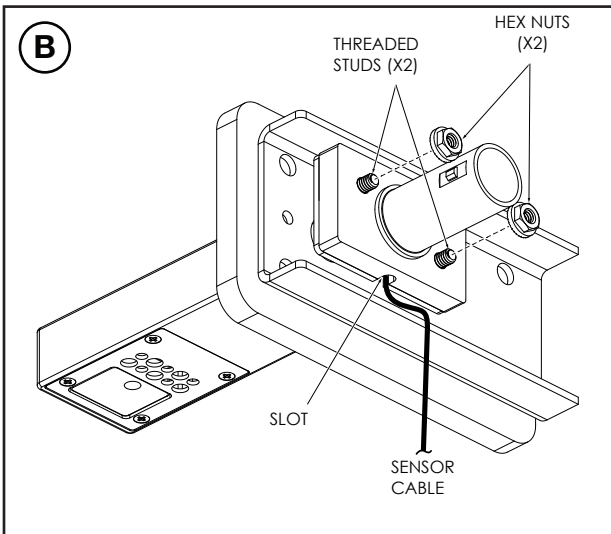


**A**

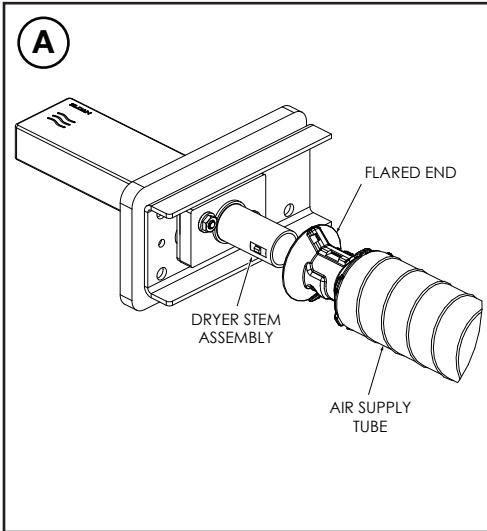
Position dryer stem assembly over the existing self-centering nuts. Make sure sensor cable is routed through slot of dryer stem assembly.

**B**

Thread hex nuts over ends of threaded studs. DO NOT over-tighten nuts.



### 3 - CONNECT AIR SUPPLY TUBE

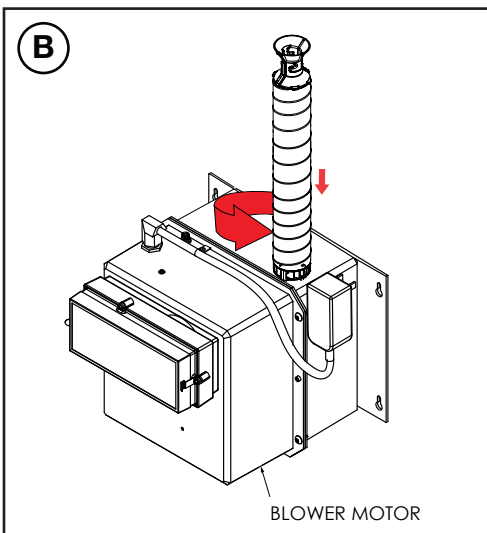


**A**

Connect the air supply tube's flared end connector onto the dryer stem assembly. Rotate clockwise until it locks into place.

**B**

Align slots of round squared connector end of hose to opening guides on hand dryer motor into the opening until it stops, rotate the connector counterclockwise until it locks into place. Grip the fitting (not the hose) firmly when locking into position, approximately 1/8 turn, it will snap into the locked position. Failure to properly lock the hose fitting to the blower box fitting will result in the hose fitting detaching from the blower box.

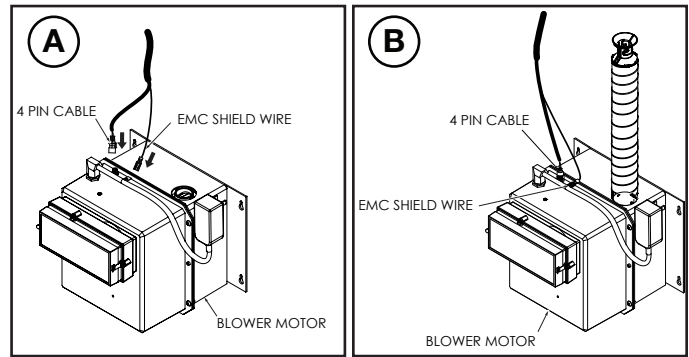


**B**

BLOWER MOTOR

## 4 - CONNECT WIRES

- A** Plug the four (4) pin cable from the spout into the four (4) pin socket on the hand dryer motor. Plug the shield cable into the shield tab on the blower motor.
- B** Leave the programming cable unattached. Do not remove or cut-off cable. Cord can be bundled.



## CARE AND CLEANING

- Wait 15 seconds for the Dryer Spout to calibrate. A blue LED "DRY" light will be present for 3 seconds during calibration. NOTE Be sure not to obstruct the sensor with hands or any object during calibration, as this can lead to inaccurate calibration.
- Put hands under Dryer Spout to confirm the unit is working. The blue LED "DRY" light will appear to confirm sensing of hands. NOTE If the Sensor does not detect as intended, unplug the Dryer Motor, disconnect the EMC Shield Wire from the Blower Motor, plug in unit, wait 15 seconds for calibration, then test unit.
- To change the heat setting, turn the HEAT knob on the Dryer Motor counter-clockwise toward the L (low) to decrease the heat, or turn the HEAT knob clockwise toward the H (high) to increase the heat. NOTE Rotating the HEAT knob all the way to the left to the low (L) position will turn the heater OFF. No current will be supplied and no power will be consumed from the heater.
- To change the speed setting, turn the MOTOR SPEED knob on the Dryer Motor counter-clockwise toward the L (low) to decrease the speed, or turn the MOTOR SPEED knob clockwise toward the H (high) to increase the speed.

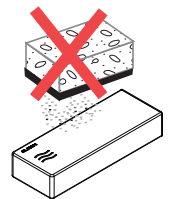
## CARE AND CLEANING

### Important:

Gently wash Dryer Spout using a soft cloth or sponge and a mild soap or detergent with lukewarm water to loosen dirt and grime.

**DO NOT USE** abrasive or chemical cleaners (including chlorine bleach) to clean Dryer Spout that may dull the luster and attack the chrome or special finishes.

To clean the pre-filter, unclip the pre-filter, rinse the pre-filter with water and dry. Reinstall. **DO NOT CLEAN THE HEPA FILTER OR ALLOW IT TO COME INTO CONTACT WITH WATER.** Replace filter if it becomes wet. Wet fibers will expand and block airflow into Dryer. With normal use, Dryer will require cleaning of the pre-filter and inspection of the HEPA filter at least once per year. With frequent inspection and cleaning, HEPA filters can last up to three (3) years. Heavier usage, or if the Dryer is installed in an environment with excessive lint, dust, or other particles, will require more frequent cleaning and replacement of the HEPA filter.



## TROUBLESHOOTING - GENERAL

- Dryer Not Operating as Expected, Such as Intermittent Operation.
  - Wires were pinched during installation. Ensure the wires are in the corresponding wire relief grooves on the Locking Nut Washer (shown on page 2, Steps 3A & 4B).
  - If the Dryer Motor has a steady light but the Dryer Spout is not displaying the blue "DRY" light, check all connection plugs to ensure proper connection.
  - If the "DRY" light flashes when a target is present, or no "DRY" light appears and the Dryer Motor light is flashing, please refer to the error codes table on page 6.
  - Filter needs to be cleaned. Clean pre-filter as described in the Care and Cleaning section above and reinstall.
- Sensor is Not Detecting Hand.
  - Disconnect the EMC Shield Wire and reset the unit. To reset the unit, unplug Dryer Motor, disconnect the EMC Shield Wire from the Blower Motor, plug in unit, wait 15 seconds for calibration, then test unit.
- The Air Coming From the Dryer Spout is Too Warm / Not Warm Enough.
  - On the Dryer Blower Motor, rotate the HEAT knob counter-clockwise toward the low (L) position. Note that if you turn the HEAT knob all the way to the left toward the low (L) position, the heat will be turned off from the unit completely.
  - On the Dryer Blower Motor, rotate the HEAT knob clockwise toward the high (H) position.
- The Air Coming From the Dryer Spout is Too Loud / Dry Time Too Slow.
  - If the air is too loud, on the Dryer Blower Motor, rotate the MOTOR SPEED knob counter-clockwise toward the low (L) position.
  - If the dry time is too slow, on the Dryer Blower Motor, rotate the MOTOR SPEED knob clockwise toward the high (H) position.

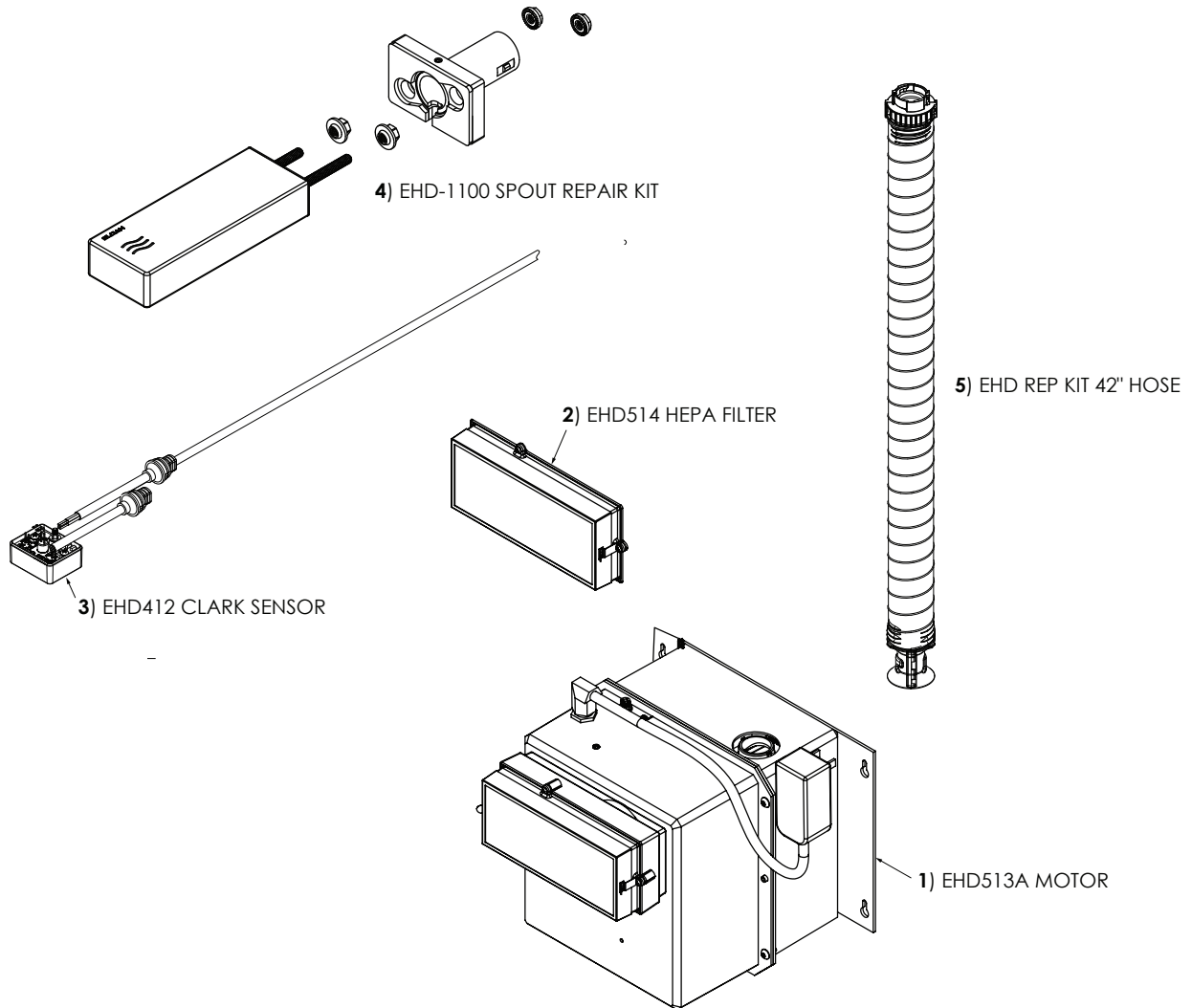
## ERROR CODES AND SOLUTIONS

DRYER STATE	ERROR MESSAGE	1st FLASH	2nd FLASH	DRYER OPERATION	POSSIBLE SOLUTION
OFF	No error or condition, user absent	No flash, steady ON (at dryer box) and No flash, steady OFF (at spout)	–	Dryer ready for operation	Normal
ON	No error or condition, user presenting hands	No flash, steady OFF (at dryer box) and No flash, steady ON (at spout)	–	Dryer running	Dryer running while hands are under unit. Normal
ON	Time to clean prefilter or change HEPA Filter	1 Short	1 long	Dryer still runs	Check and clean prefilter. Code should reset after repowering unit. If code reappears then HEPA filter may need replacing.
OFF	Motor over current severe	1 long	3 short	dryer stops running until power is removed, fault has been repaired and power reapplied	Motor is drawing much more current than normal. Motor could be failing. Replace motor. Call Sloan Tech Support 1-888-756-2614.
OFF	Motor quick over current	1 long	3 short	dryer stops running until power is removed, fault has been repaired and power reapplied	Motor drew a quick over current than normal. Could have been caused by a quick over voltage condition or something blocking motor. Motor could be failing. Replace motor. Call Sloan Tech Support 1-888-756-2614.
ON	Heater open condition	2 long	4 short	Dryer still runs. Code clears when power is removed and fault is repaired.	Heating element had opened during operation (thermostat tripped). check for clogged filter, blocked or kinked hose and blocked muffler. If problem persists heating element may be broken or disconnected. Replace or reconnect. Call Sloan Tech Support 1-888-756-2614.
ON	Notification of recent mains over voltage	3 long	1 short	Dryer still runs	Dryer had a spike of higher voltage than normal. Code is for information purposes. Code will clear if unit power is removed and reapplied.
ON	Notification of recent mains under voltage	3 long	2 short	Dryer still runs	Dryer had a spike of lower voltage than normal. Code is for information purposes. Code will clear if unit power is removed and reapplied.
Off	Mains over voltage in progress	3 long	3 short	Dryer stops running until mains voltage returns to a safe level. When safe level returns, dryer runs. The code changes to notification of recent mains over voltage.	Dryer has unsafe voltage applied. Check voltage source. Code will reset when voltage is back to normal.
OFF	Mains under voltage in progress	3 long	4 short	Dryer stops running until mains voltage returns to a safe level. When safe level returns, dryer runs. The code changes to notification of recent mains under voltage.	Dryer has unsafe voltage applied. Check voltage source. Code will reset when voltage is back to normal.
OFF	Control Temperature over temp severe	4 long	3 short	Dryer stops running until power is removed, fault has been repaired and power reapplied.	Dryer control is running very hot. Filter clog may have been disregarded. Check filter and reapply power. If continues Call Sloan Tech Support 1-888-756-2614.

## PARTS LIST

Item #	Code #	Description
1	0366009	EHD513A MOTOR ASM 110/120V W/HEPA FILTER
2	0366014	EHD514 HEPA FILTER REPAIR KIT
3	33660038	EHD412 DRYER SENSOR (CLARK)
4	33660092	EHD-1100 SPOUT REPAIR KIT (CHROME)*
5	0366008	EHD512A HOSE ASM REPAIR KIT

\* Consult factory for alternate finish options. Replacement dryer spout includes basin mounting kit.



If further assistance is required, please contact Sloan Technical Support at: 1-888-SLOAN-14 or visit us online at: [www.sloan.com](http://www.sloan.com)

The information contained in this document is subject to change without notice.