



INSTALLATION INSTRUCTIONS DESIGNER SERIES URBAN PEDESTAL SOLID SURFACE LAVATORY SINK DSUP-81000



PRIOR TO INSTALLATION

Prior to installing the Sloan Designer Series Lavatory System, install the items listed below. Also, refer to the appropriate rough-in diagram below.

- **Water Supply**
- Hot and cold water supply lines or tempered water supply line
- Drain lines

- **ALL PLUMBING SHOULD BE INSTALLED IN ACCORDANCE WITH APPLICABLE CODES AND REGULATIONS.**

- **BEFORE CONNECTING FLEX HOSES TO SUPPLY STOPS, FLUSH ALL WATER LINES UNTIL WATER IS CLEAR.**

Important:

- **ADEQUATE STRUCTURAL SUPPORT IN OR BEHIND THE WALL MAY BE REQUIRED. REFER TO THE APPROPRIATE ROUGH-IN DIAGRAM BELOW.**

LIMITED WARRANTY

Unless otherwise noted, Sloan Valve Company warrants its Products to be made of first class materials, free from defects of material or workmanship under normal use and to perform the service for which they are intended in a thoroughly reliable and efficient manner when properly installed and serviced, for a period of three years (1 year for SF Faucets, special finishes and PWT electronics and 30 days on PWT software) from date of purchase. During this period, Sloan Valve Company will, at its option, repair or replace any part or parts which prove to be thus defective if returned to Sloan Valve Company, at customer's cost, and this shall be the sole remedy available under this warranty. No claims will be allowed for labor, transportation or other incidental costs. This warranty extends only to persons or organizations who purchase Sloan Valve Company's products directly from Sloan Valve Company for purpose of resale. This warranty does not cover the life of the batteries.

THERE ARE NO WARRANTIES WHICH EXTEND BEYOND THE DESCRIPTION ON THE FACE HEREOF. IN NO EVENT IS SLOAN VALVE COMPANY RESPONSIBLE FOR ANY CONSEQUENTIAL DAMAGES OF ANY MEASURE WHATSOEVER.

TOOLS REQUIRED FOR INSTALLATION

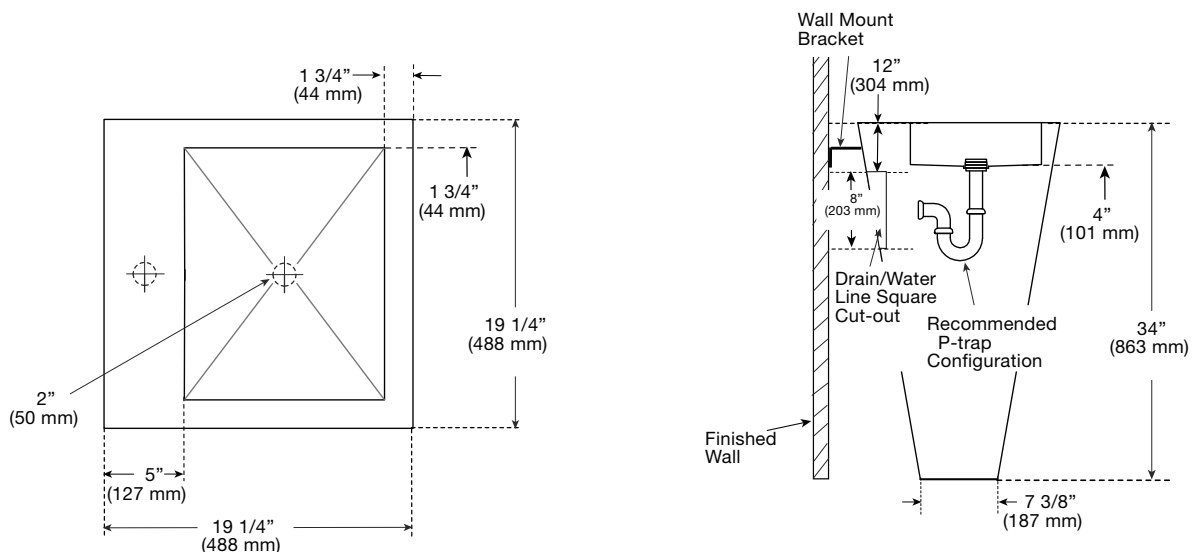
- Electric drill for drilling anchor holes.
- Socket or open end wrench for installing anchoring fasteners (if needed).
- Open end wrench for connecting water lines.
- Pipe wrench for installing drain lines.

SINK LOCATION

Determine the appropriate wall location for the Lavatory System. Consider that hot and cold water supply lines, a drain line, and an electrical source (receptacle for hardwired faucets) will be required. Compare the physical dimensions of the Lavatory System to the space available for the installation. Refer to the appropriate Rough-in diagram on page 2 for Lavatory System dimensions.

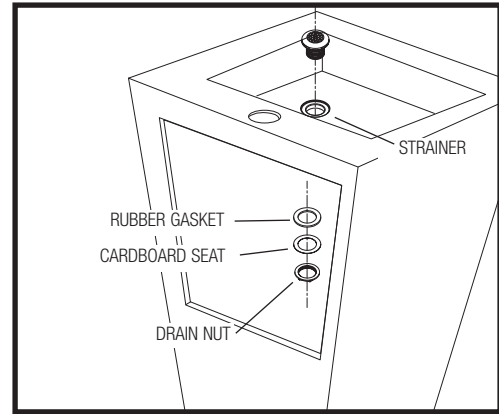
Prior to Lavatory System installation, electric wiring, water supply and drain must be installed.

LAVATORY SYSTEM ROUGH-IN



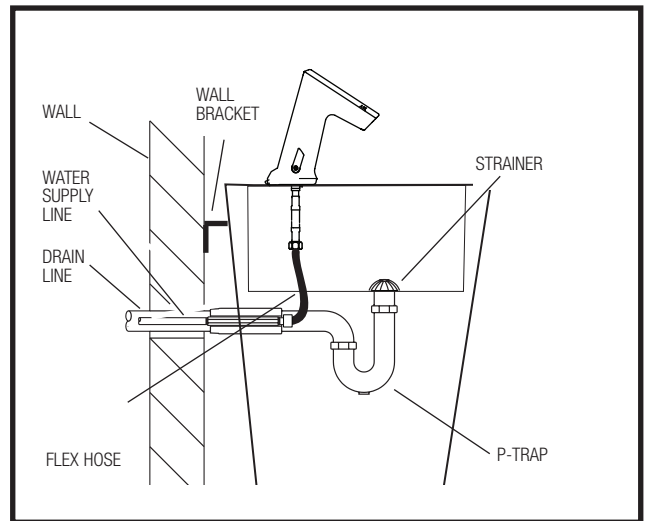
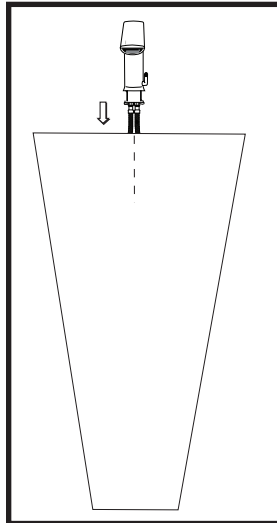
1- STRAINER INSTALLATION

- A** Insert Strainer into Basin using plumbers putty (supplied by installer).
- B** From beneath Basin, install the Rubber Gasket, Cardboard Seat and Drain Nut onto Strainer. Secure Drain Nut against Basin.



2 - INSTALL FAUCET, DRAIN AND WATER LINE CONNECTIONS

- A** Install faucet and water line connections as instructed in the installation instructions furnished with the Faucet.
- B** Install P-trap and drain lines making sure that all connections are secure.
- C** Install bracket (supplied) to sink from wall. Flush supply line(s) of any debris. Install Flex Hose(s) to water supply line(s). Tighten fitting(s) securely.



Note: P-trap and drain lines furnished by others.

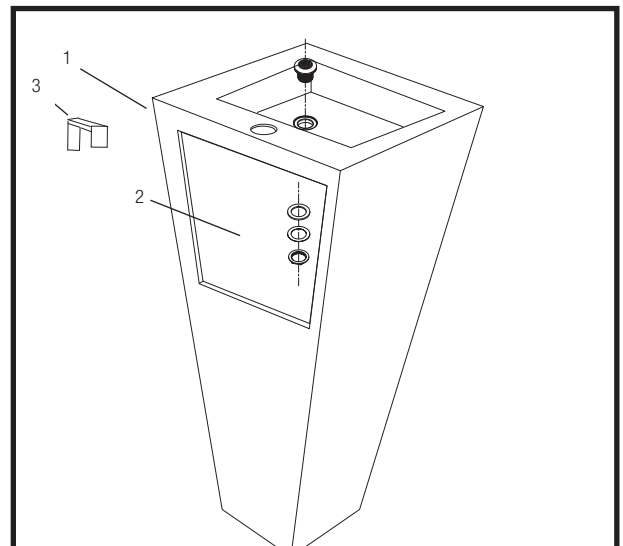
CARE AND CLEANING

DO NOT USE abrasive or chemical cleaners (including chlorine bleach) to clean lavatory deck or faucets that may dull the luster and attack the finish. Use **ONLY** soap and water, then wipe dry with clean cloth or towel.

While cleaning the sink area, protect the faucet from any splattering of cleaner. Acids and cleaning fluids will discolor or remove chrome plating.

PARTS LIST

Item No.	Description
1	DSUP-81000 Urban Pedestal
2	ETF-460-A Grid Strainer Assembly
3	Wall Bracket
-	Sloan Faucet (model varies)



SLOAN • 10500 SEYMOUR AVENUE • FRANKLIN PARK, IL 60131

Phone: 1-800-9-VALVE-9 or 1-847-671-4300 • Fax: 1-800-447-8329 or 1-847-671-4380 • www.sloanvalve.com

COPYRIGHT © 2012 SLOAN VALVE COMPANY

Code No. 0816645 – Rev. 1 (10/12)