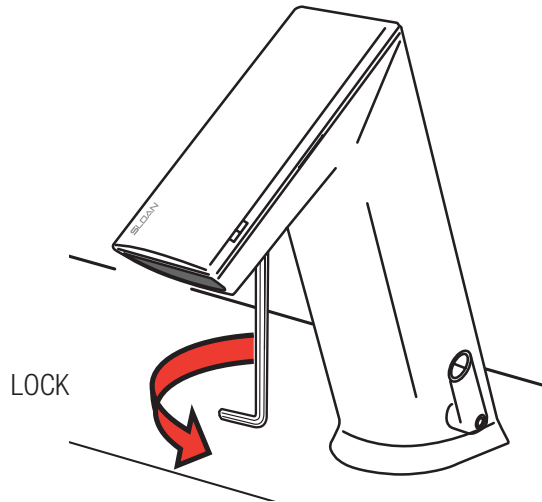


**D** Slide on crown and secure.



### LED DISPLAY DIAGNOSTICS CODES

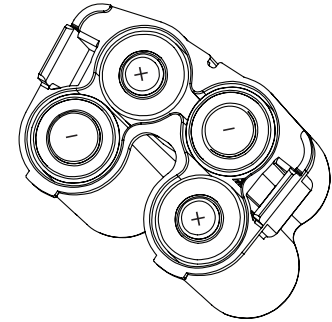


Function	LED1	Description
<b>Battery Check after Start Up</b>		LED1 on for 2 sec, if battery greater than 3.5V
<b>Battery Low</b>		LED1 blinks 3x, if battery is less than warning level; only in detection mode
<b>Battery Empty</b>		LED1 double flashes 3x, if battery is less than empty level; only in detection mode

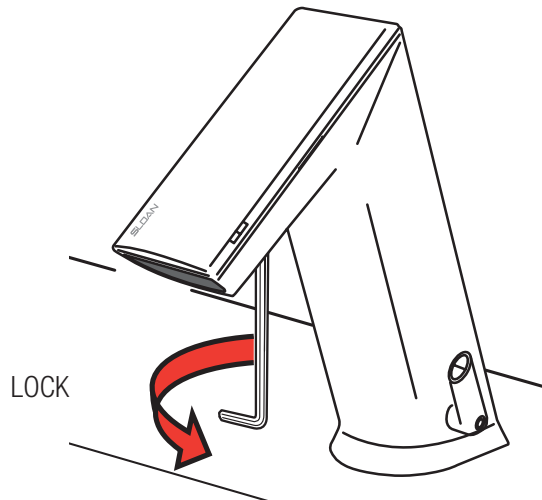
**When assistance is required, please contact Sloan Technical Support at:  
1-888-SLOAN-14 (1-888-756-2614)**

The information contained in this document is subject to change without notice.  
SLOAN • 10500 Seymour Avenue • Franklin Park, IL 60131  
Phone: 800-982-5839 • Fax: 800-447-8329 • sloan.com

### INSTALLATION INSTRUCTIONS FOR BASYS™ EFX-7-A BATTERY PACK ASSEMBLY (FOR MID/HIGH MODELS ONLY)



**D** Slide on crown and secure.



### LED DISPLAY DIAGNOSTICS CODES

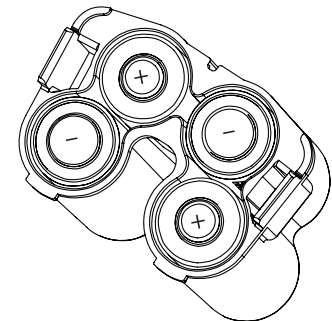


Function	LED1	Description
<b>Battery Check after Start Up</b>		LED1 on for 2 sec, if battery greater than 3.5V
<b>Battery Low</b>		LED1 blinks 3x, if battery is less than warning level; only in detection mode
<b>Battery Empty</b>		LED1 double flashes 3x, if battery is less than empty level; only in detection mode

**When assistance is required, please contact Sloan Technical Support at:  
1-888-SLOAN-14 (1-888-756-2614)**

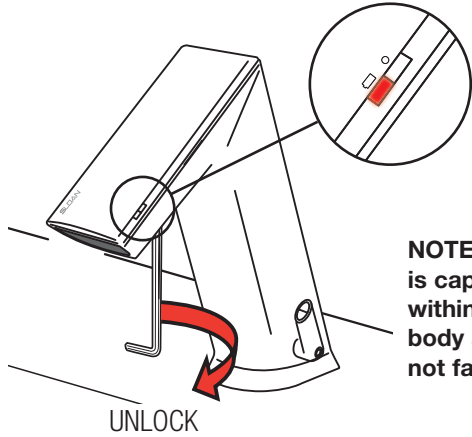
The information contained in this document is subject to change without notice.  
SLOAN • 10500 Seymour Avenue • Franklin Park, IL 60131  
Phone: 800-982-5839 • Fax: 800-447-8329 • sloan.com

### INSTALLATION INSTRUCTIONS FOR BASYS™ EFX-7-A BATTERY PACK ASSEMBLY (FOR MID/HIGH MODELS ONLY)



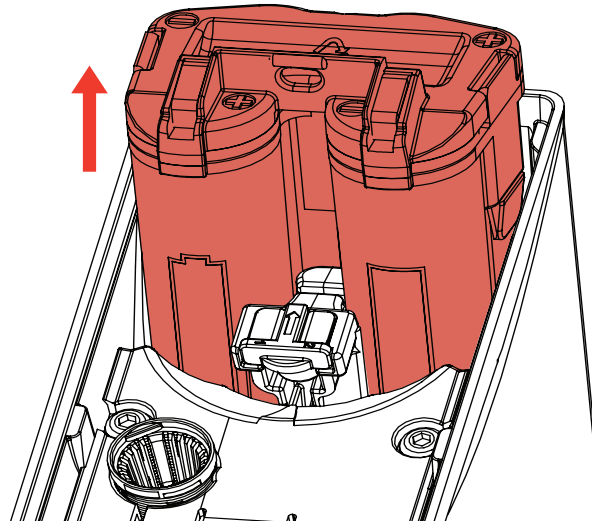
**NOTE:** Replace battery when LED1 indicator flashes red each time faucet is in use or when faucet stops functioning. LED1 is identified by the battery symbol.  
**NOTE:** Turning off water is not necessary.

**A** Remove crown by loosening hex screw located on underside of spout and slide crown down and lift off.

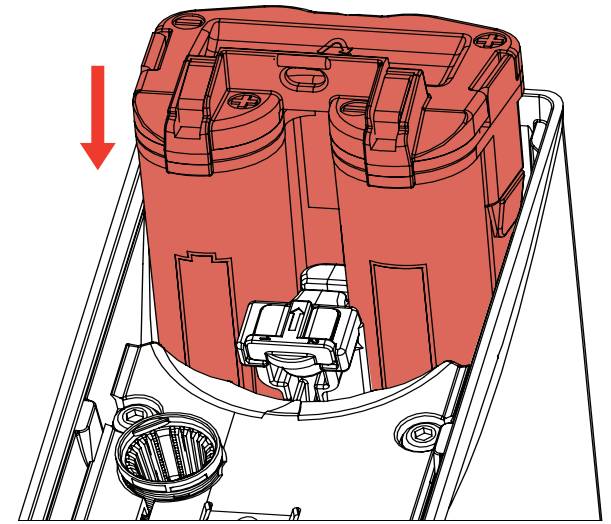


**NOTE:** Screw is captive within faucet body and will not fall out.

**B** Remove battery pack assembly by lifting out of faucet body.

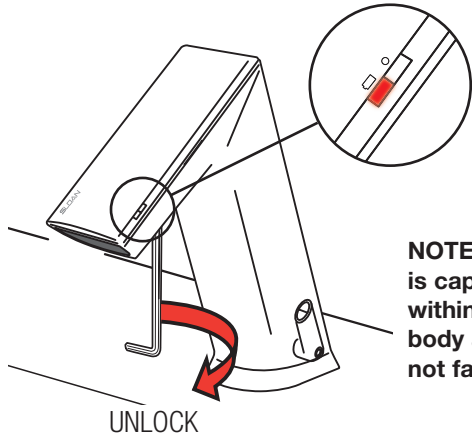


**C** Install new battery pack assembly into faucet body.



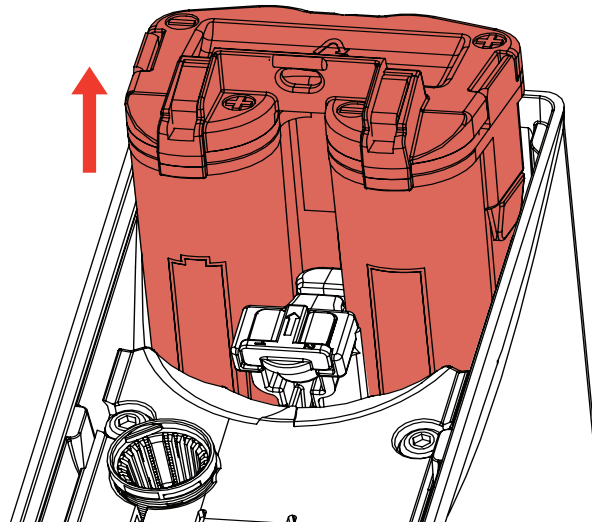
**NOTE:** Replace battery when LED1 indicator flashes red each time faucet is in use or when faucet stops functioning. LED1 is identified by the battery symbol.  
**NOTE:** Turning off water is not necessary.

**A** Remove crown by loosening hex screw located on underside of spout and slide crown down and lift off.



**NOTE:** Screw is captive within faucet body and will not fall out.

**B** Remove battery pack assembly by lifting out of faucet body.



**C** Install new battery pack assembly into faucet body.

